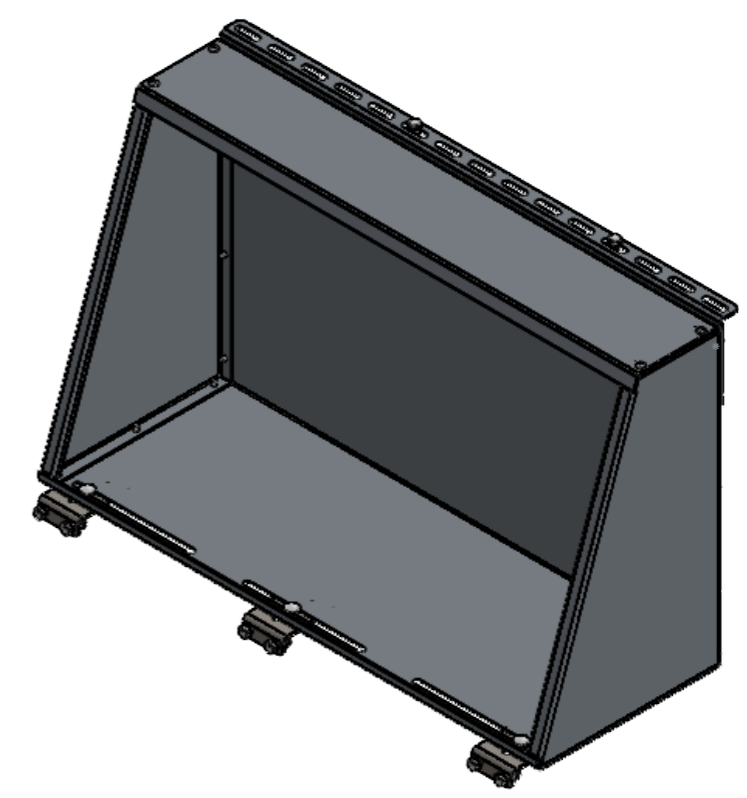
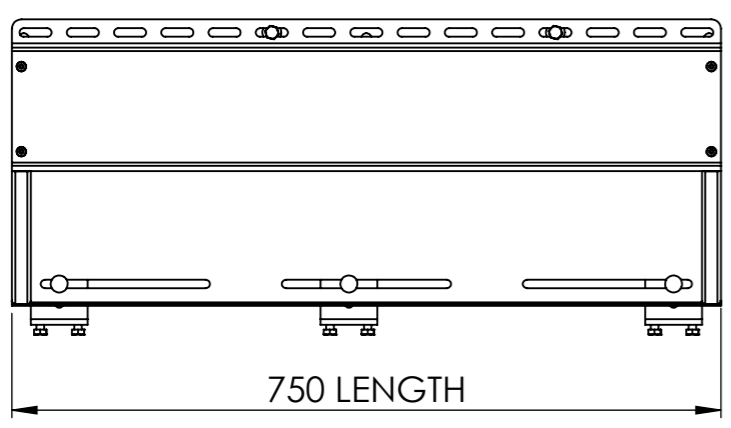
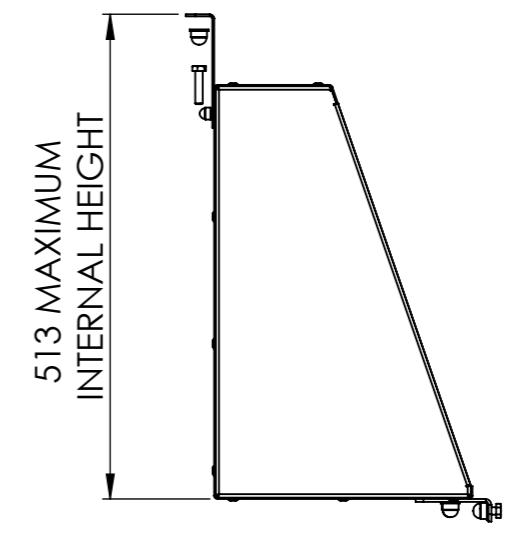
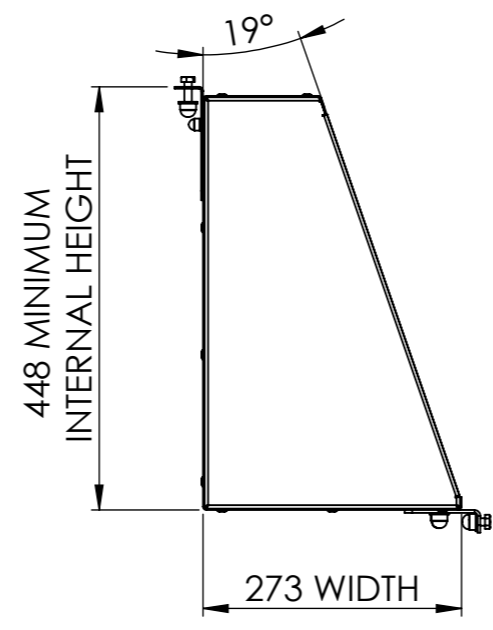
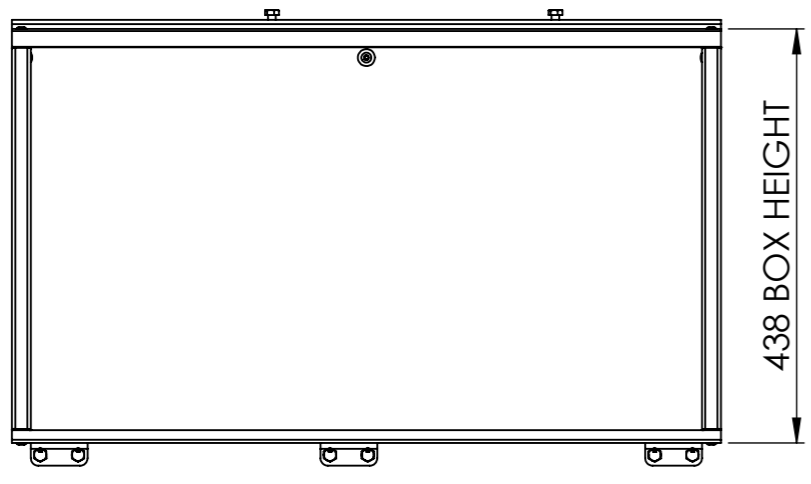


ASSY INFO	MASS (kg):	
	BONDED:	
FINISH	FASTENED:	
	WELDED:	
	TUMBLER:	
	BRUSHED:	Y
	POWDER:	
	SPRAY:	N/A
	COLOUR:	



TOLERANCES TO ASSUME UNLESS INDICATED OTHERWISE

NOM DIMENSION	RANGE (mm)	TOLERANCE
0.50	- 3.00	± 0.10
3.00	- 6.00	± 0.15
6.00	- 30	± 0.20
30	- 120	± 0.30
120	- 400	± 0.50
400	- 1000	± 1.00
1000	- 1000<	± 2.00

DESCRIPTION:
CANOPY CUPBOARD STANDARD 750 mm

PROJECT:
C-A-CB560

DRAWN BY:
System Administrator

DATE:
2023-03-17

THE INFORMATION CONTAINED WITHIN THIS DOCUMENT IS THE INTELLECTUAL PROPERTY OF ALU-CAB (PTY) LTD

SHEET:
A3

SCALE:
1:8

SHEET
1 of 2

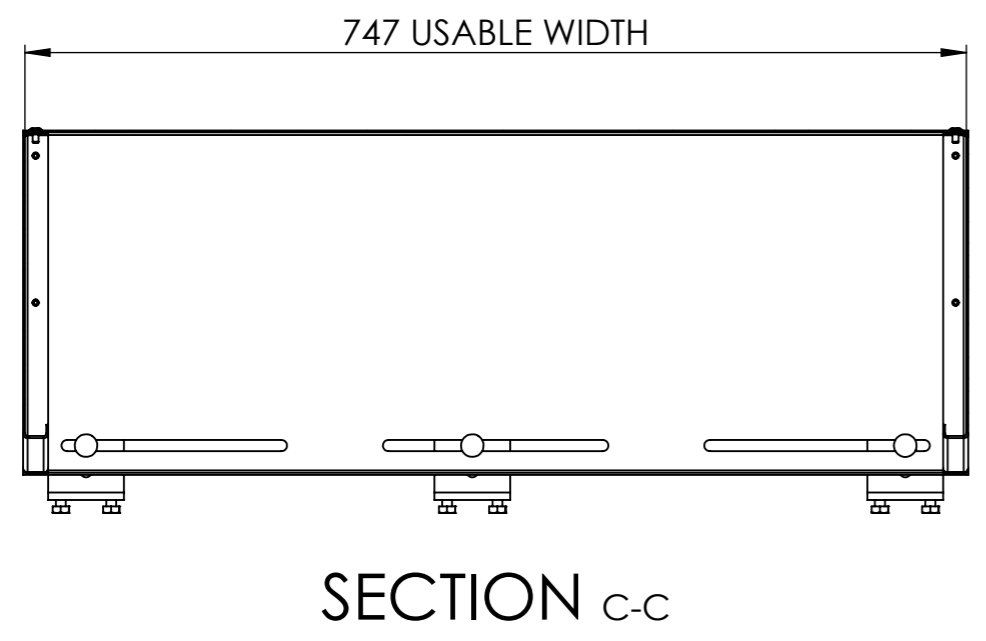
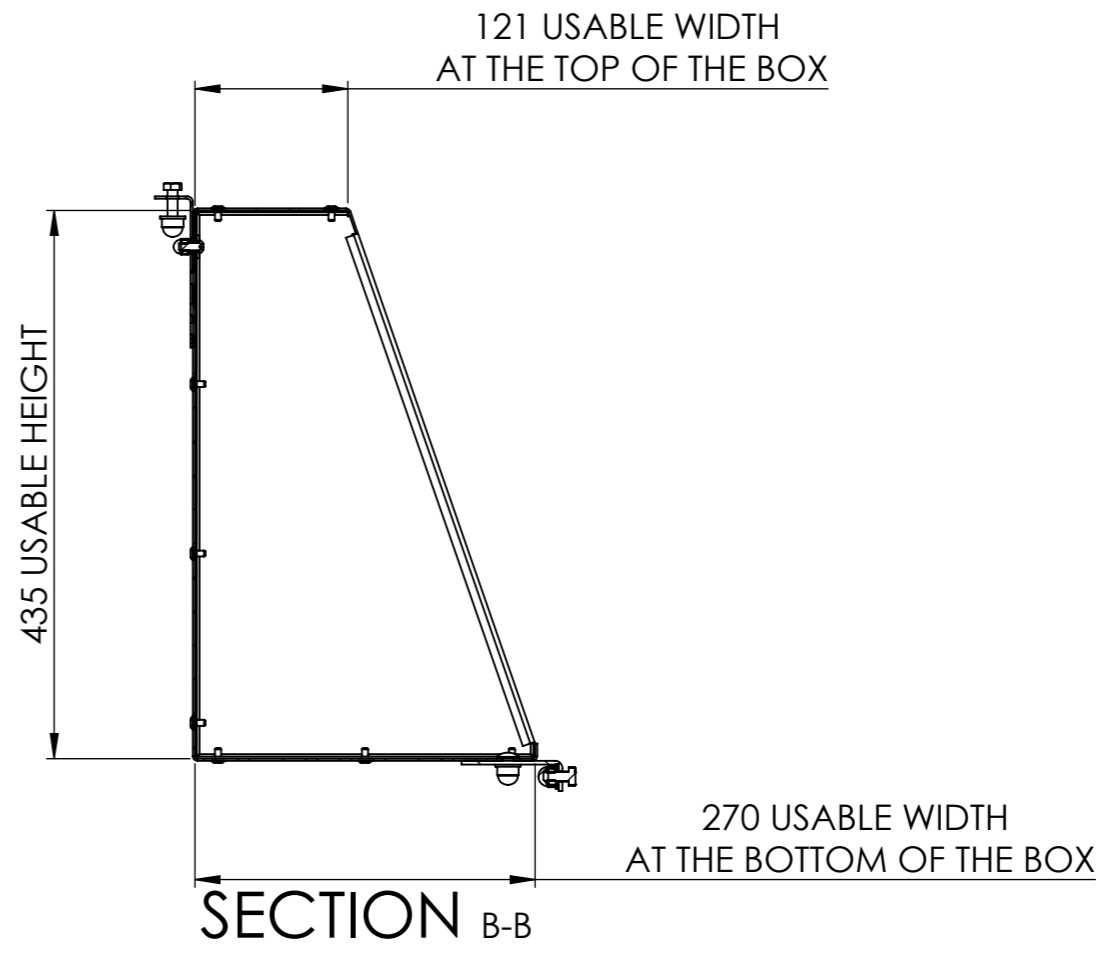
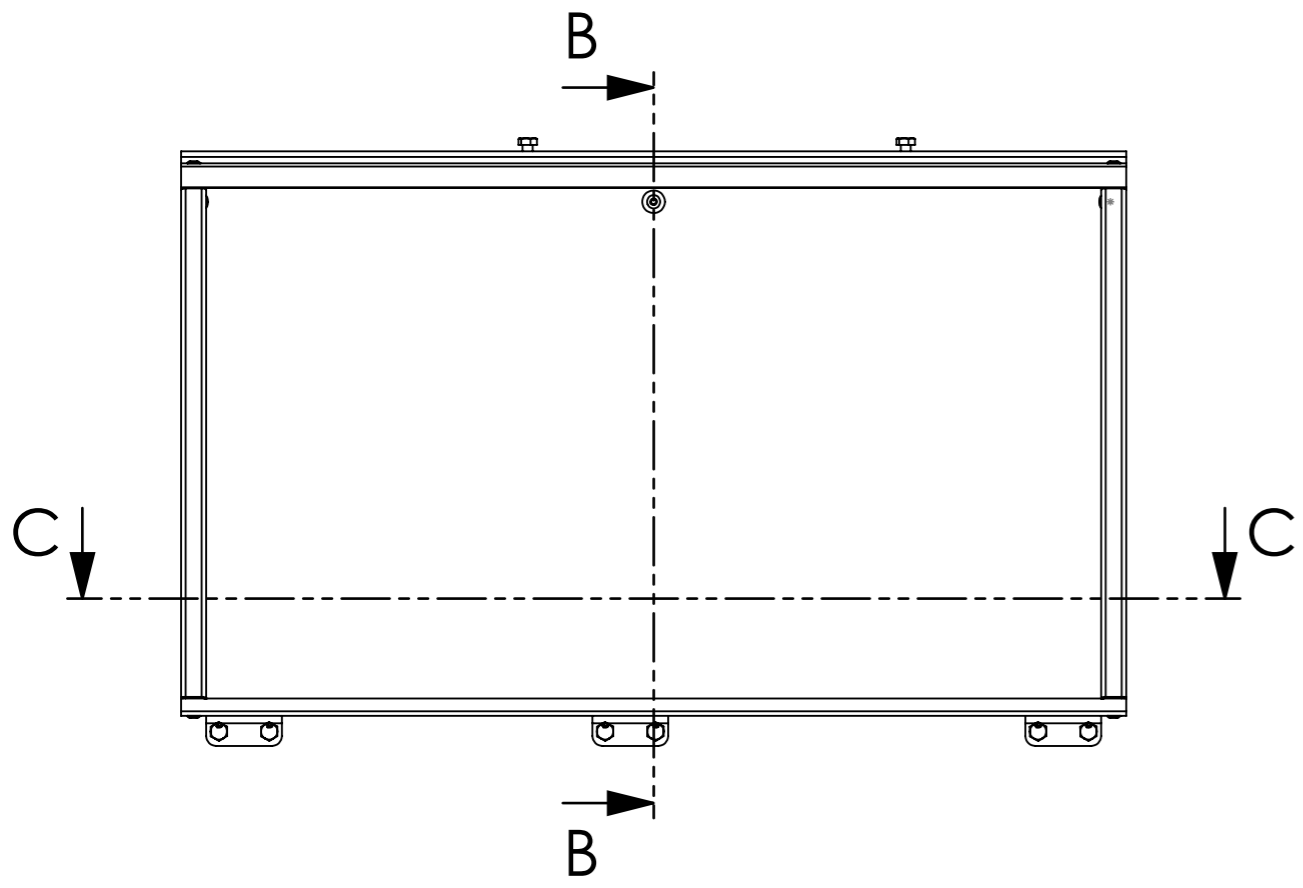
DRAWING NO.
C-A-CB560-GA



REV.	DESCRIPTION	DATE	APPROVED

REV

ASSY INFO	MASS (kg):	
	BONDED:	
FINISH	FASTENED:	
	WELDED:	
	TUMBLER:	
	BRUSHED:	
	POWDER:	Y
	SPRAY:	
	COLOUR:	N/A



TOLERANCES TO ASSUME UNLESS INDICATED OTHERWISE

NOM DIMENSION	RANGE (mm)	TOLERANCE
0.50	- 3.00	± 0.10
3.00	- 6.00	± 0.15
6.00	- 30	± 0.20
30	- 120	± 0.30
120	- 400	± 0.50
400	- 1000	± 1.00
1000	- 1000<	± 2.00

DESCRIPTION:
CANOPY CUPBOARD STANDARD 750 mm

PROJECT:
C-A-CB560

DRAWN BY:
System Administrator

DATE:
2023-03-17

THE INFORMATION CONTAINED WITHIN THIS DOCUMENT IS THE INTELLECTUAL PROPERTY OF ALU-CAB (PTY) LTD

SHEET:
A3

SCALE:
1:6

SHEET
2 of 2



DRAWING NO.
C-A-CB560-GA

REV