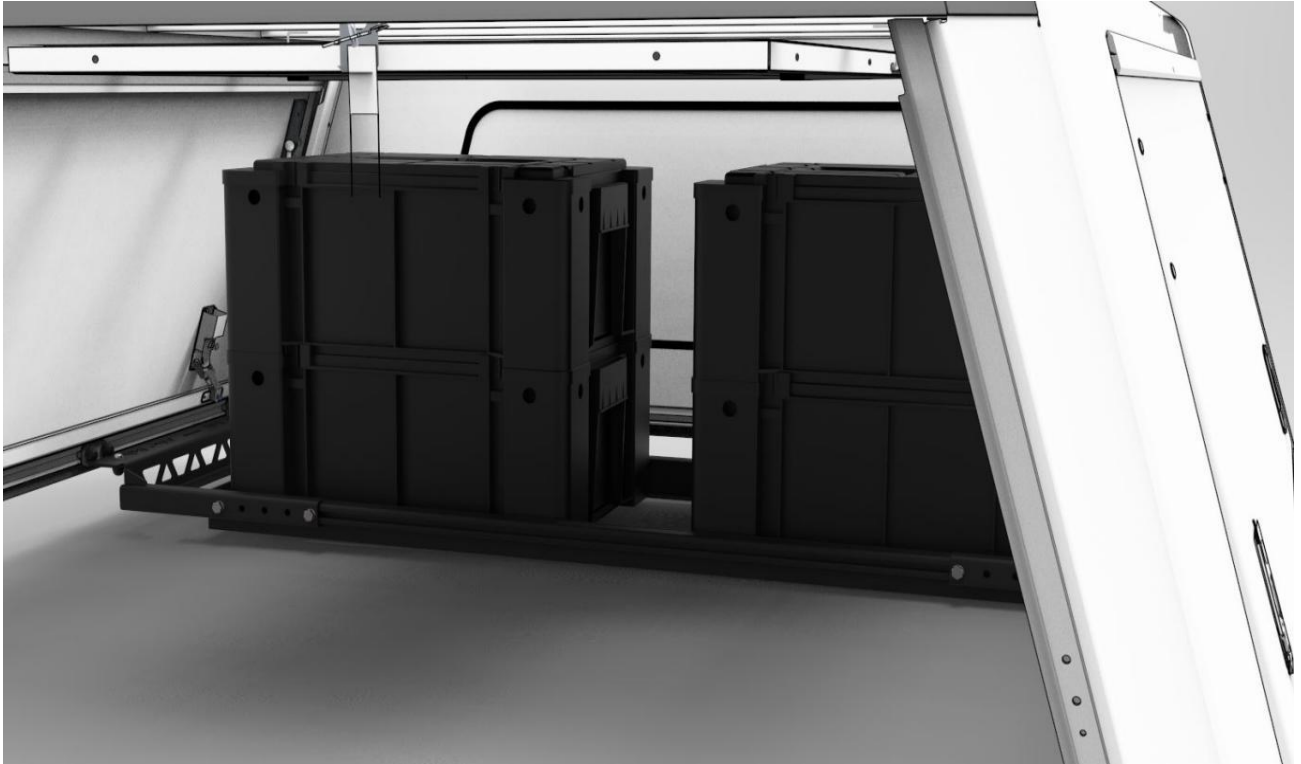


FITMENT INSTRUCTIONS

Alu-Cab™



Ammo Box Slide

All rights reserved. No part of this document may be reproduced, translated, stored in a retrieval system, or transmitted, in any form or by any means, electronic, mechanical, photocopying, recording or otherwise, without prior written permission of the owner.

Review all instructions information carefully before installation.

Any damages, direct or incidental to the installer and/or property due to incorrect installation of any parts are the responsibility of the installer. Due to the various applications and fitment options available, the responsibility lies with the user to ensure all mounting points are secure and tight before every trip. If unsure, consult with your Distributor regarding the operations of our products.

Users are advised to be mindful of the load they are carrying and drive in accordance with road conditions.

DISCLAIMER

Alu-Cab

1. Ammo Box Slide Fitment - Tools, Fasteners & Materials

The tables below show the equipment, I.e tools, fasteners, hardware and consumables required to complete the fitment of the Alu-Cab Ammo Box Slide.

Hardware supplied with the Ammo Box Slide:

Part Number:	Description:	QTY.
M8 Hex Nut	Hex Nut	8
421-MOUNT-ASSY-01-02	Main Mounting Bracket Assembly	2
SCB560-000-005	Bottom Mounting Bracket	4
M8 Flat Washer	M8 Flat Washer	16
421-ABS-Frame-Tray-01-01	ABM Frame Tray	1
M8 Nyloc Nut	M8 Nyloc Nut	12
M8 Nut Cap	Nylon Nut Cap	12
M8 x 20 Hex Head Bolt	M8 x 20 Hex Head Bolt	16
M8 Spring Washer	Spring Washer - M8	8
M8 x 20 Button Head Bolt	M8 x 20 Button Head Bolt	2

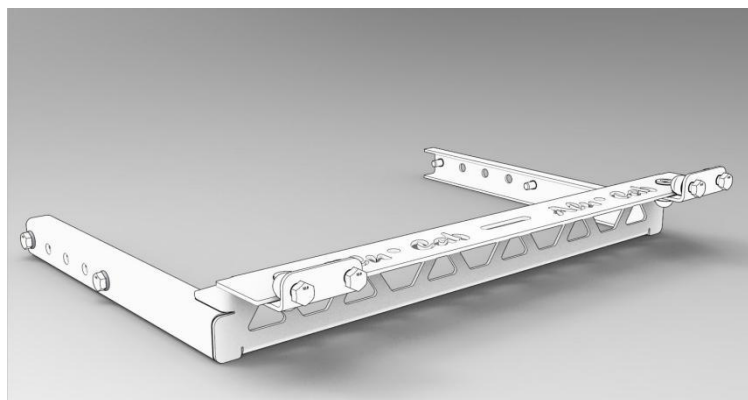


Figure 1: Mounting Bracket Assembly



WARNING

Always wear appropriate PPE (Personal protection equipment) when fitting this product. Although the mounting kit is designed to be DIY, if you have any doubts or concerns, contact an accredited fitment centre to carry out the work. Alu-Cab will not be liable for any injury to persons, and/or damage to products and/or vehicles.

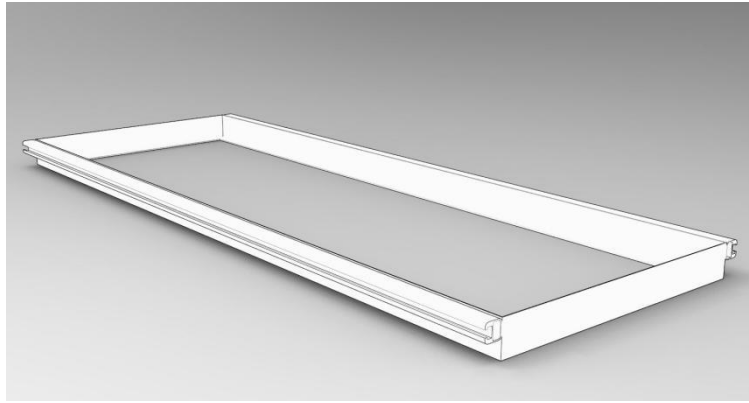


Figure 2: Frame Tray

1.1 Tools required to fit Ammo Box Slide kit:

Tool	Purpose
13mm Spanner	Fastening Nuts & Bolts
13mm Ratchet	Fastening Nuts & Bolts
Size 6 Allen Key	Fastening Bolts

2. Fitting the Ammo Box Slide Kit

Step 1: Fitting the Bottom Mounting Brackets

The first step to assembling your Ammo Box Slide is to attach the Bottom Mounting Brackets to your Mounting Bracket Assemblies. The M8 Button Head bolt and M8 Nyloc Nut fasten the Bottom Mounting Brackets to the Mounting Bracket Assembly. In Order from top to bottom, as shown in the below picture, first is the M8 Button Head bolt, then an M8 Washer, Mounting Bracket Assembly, M8 Washer again, Nyloc Nut and finally the Nylon Nut Cap. Repeat for all 4 corners. Figure 2 is of the complete assembly. **Note: Only finger tighten until it is positioned in your Canopy to ensure ease of installation, a Size 6 Allen Key and 13mm Ratchet will be used to fasten it securely once positioned.**

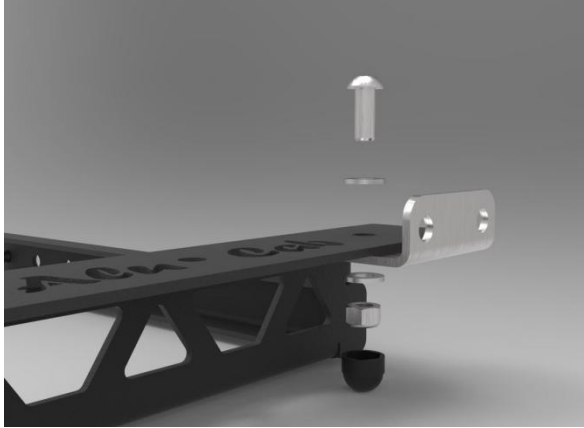


Figure 3: Fastener Order
Bracket

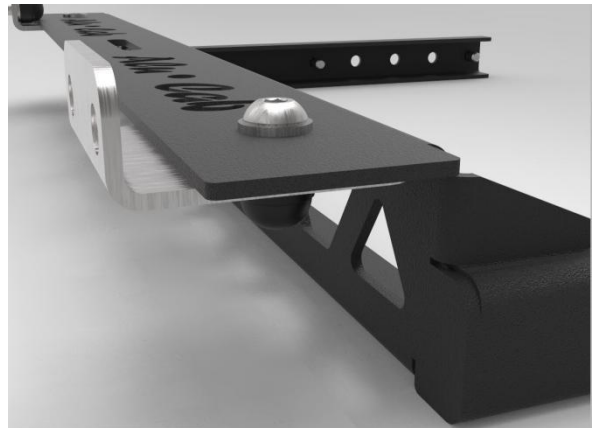


Figure 4: Fixed Bottom Mounting

Step 2: Fitting the Hex Nuts to the Frame Tray

The next step is to install the M8 Hex Nuts into the Nut Slots on the Ammo Box Frame Tray. There are 8 nuts in total which you simply push into the either end of the Nut Slots, 4 on either side of the Frame Tray. Next you can roughly align the Hex Nut positions with those of you Mounting Assembly slides for the next steps.



Figure 5: Hex Nut Insertion Points



Figure 6: Hex Nut Positions

Step 3: Attaching Mounting Assembly to the Frame Tray

In this step you secure your Mounting Assemblies to the Frame Tray to make up your Ammo Box Slide. Here you will slide the Mounting Assembly Slides around the Nut Slots on the Frame Tray, then get a rough width estimation that will fit inside your Canopy. You can proceed to manoeuvre the Hex Nuts to align with the holes in the Mounting Assembly slides. Space the Hex nuts as far as possible apart, to their corresponding holes, to ensure maximum load distribution between the mounting points. You can then insert the 20mm M8 Hex Bolts with a Spring Washer attached into their holes, just finger tightening them to secure the Mounting Assemblies while allowing for adjustment while fitting it to the Canopy. There are 8 20mm Hex Bolts corresponding to each of their Hex Nuts in the Frame Tray.

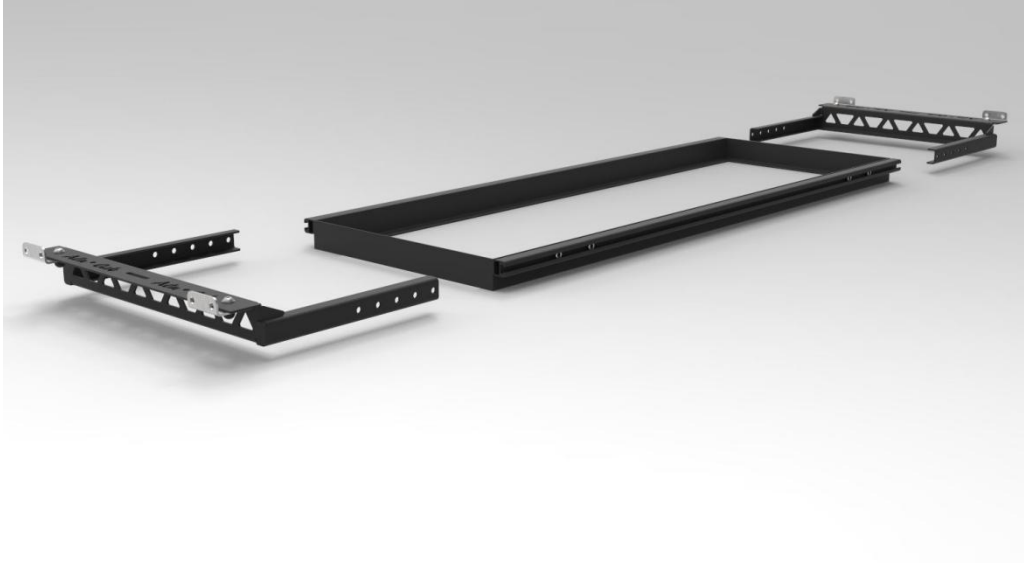


Figure 7: Mounting and Frame Tray Assemblies



Figure 8: Complete Ammo Box Slide Assembly

Step 4: Mounting Points in Canopy

Now the mounting hardware needs to be fitted inside the Canopy to attach the Ammo Box Slide. There are 8 M8 20mm Hex bolts that need to be inserted into the Nut Slots in the Canopy, 4 on either side, to mount the Bottom Mounting Brackets to, you can space these to correspond to the holes in the Bottom Mounting Brackets.



Figure 9: Hex Bolt Mounting in Canopy Nut Slot

Step 5: Ammo Box Slide Mounting to Canopy

The final step in assembling your Ammo Box Slide Kit is to mount the product to your Canopy. Take the Ammo Box Slide Assembly into the Canopy and align the bolts with the holes in the Bottom Mounting Bracket, and fasten the brackets to the bolts in the Nut Slots using a washer and Nylock Nut. Once one side is fastened finger tight, move to the other opposite side and do the same. When both sides are secure you can now slide the Frame Tray within the Mounting Assemblies to position the tray where you like within your Canopy. When you are happy with the position you can finally fully tighten all the finger tight bolts to properly secure your Ammo Box Slide. Cover all Hex Bolts with Nylon Nut Caps.

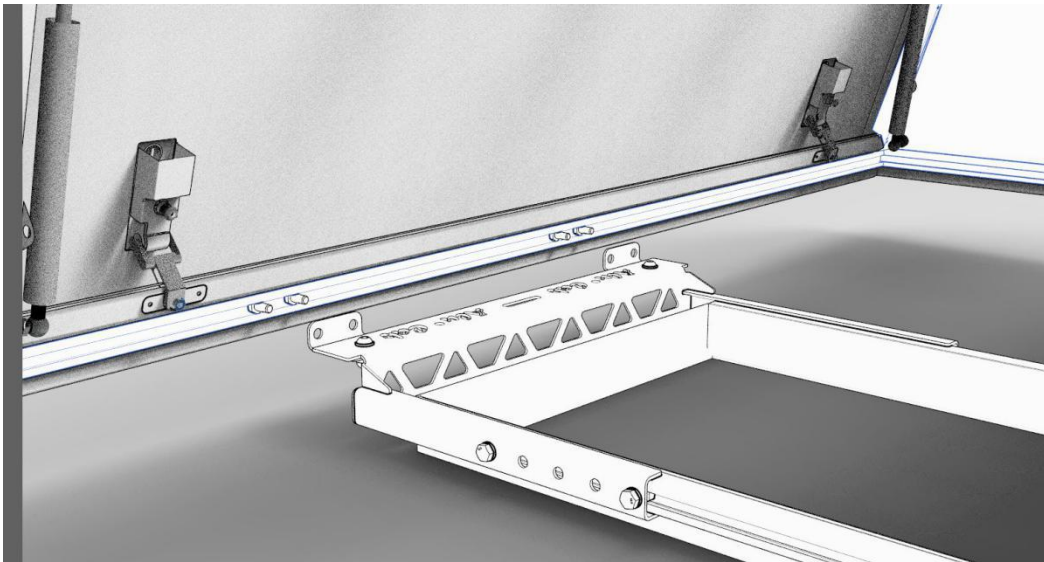


Figure 10: Ammo Box Slide and Nut Slot Bolt Location

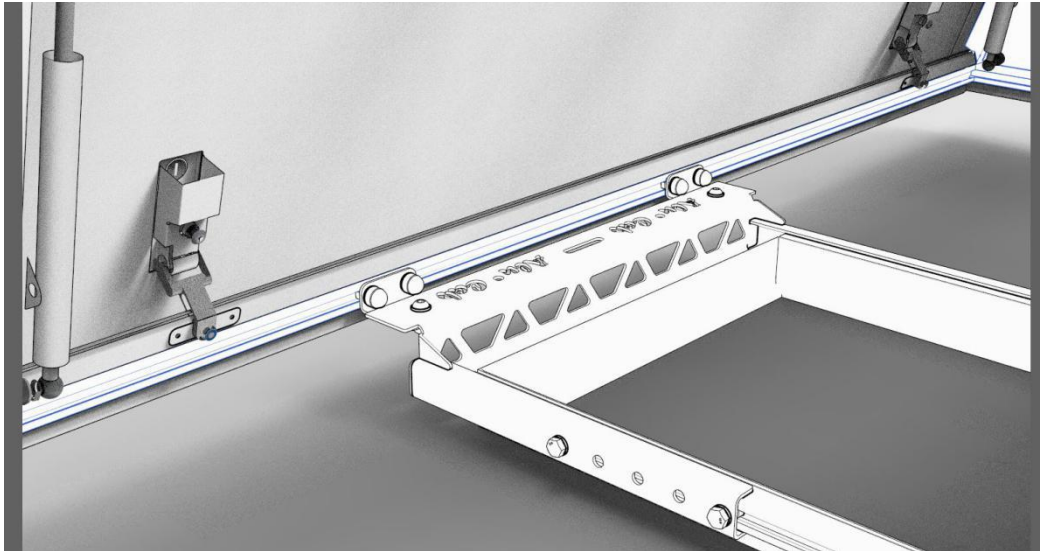


Figure 11: Ammo Box Slide Mounted to Nut Slot in Canopy