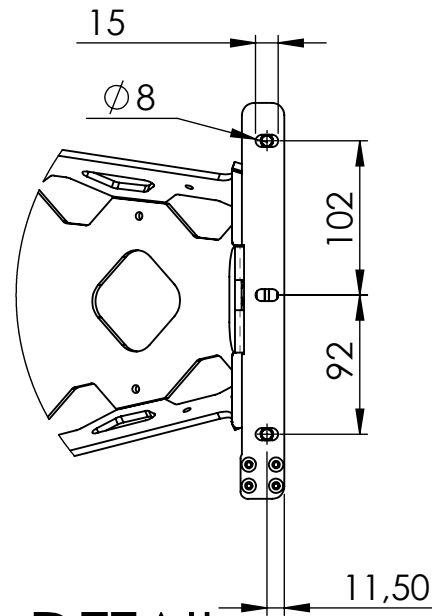
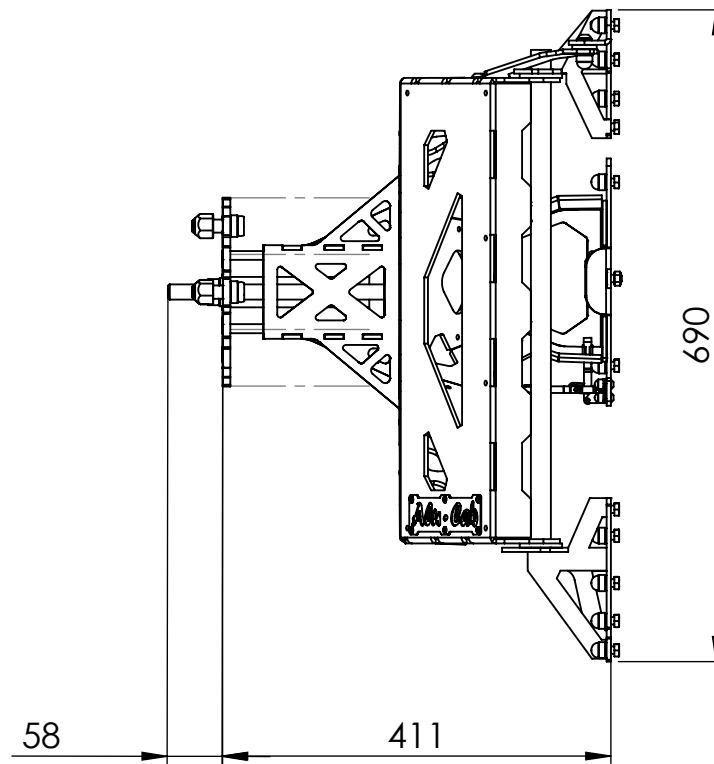


BOLTS REMOVED FOR CLARITY

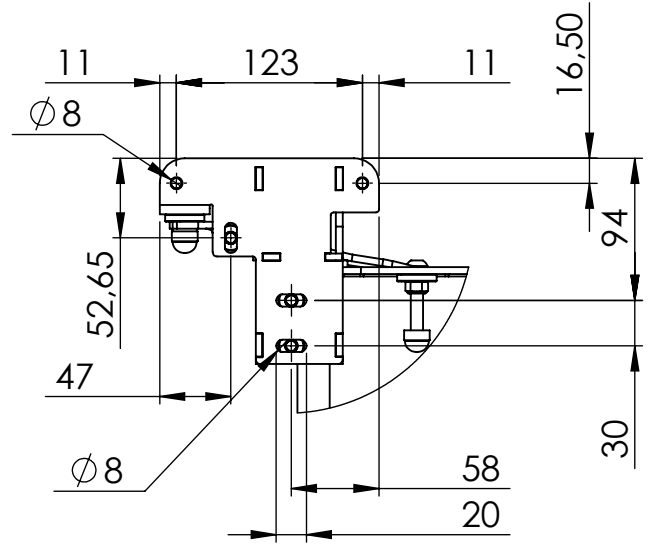


DETAIL A
SCALE 1 : 5



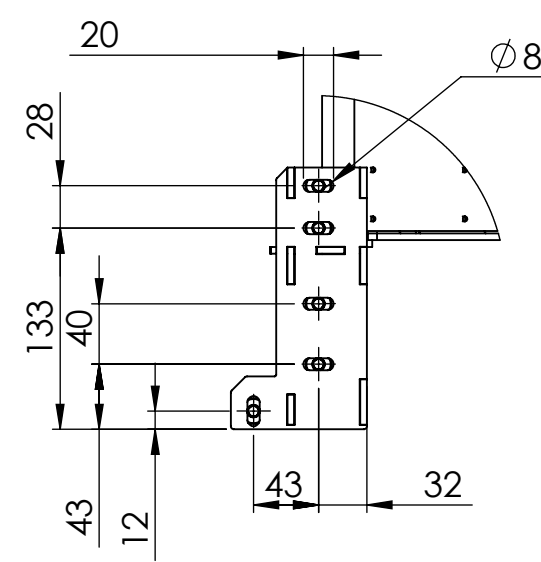
PART INFO	MASS (kg):	
	ORDERING:	
PROCESS INFO	SHEET METAL:	
	LASER CUT:	
	PUNCHED:	
	MACHINED:	
	OFF THE SHELF:	
	CNC ROUTING:	
WELDED:		
CUT:		
DRILL / TAP:		
TUMBLING:		
POLISHED:		
POWDER:		
SPRAY:		
COLOUR:	N/A	

BOLTS REMOVED FOR CLARITY

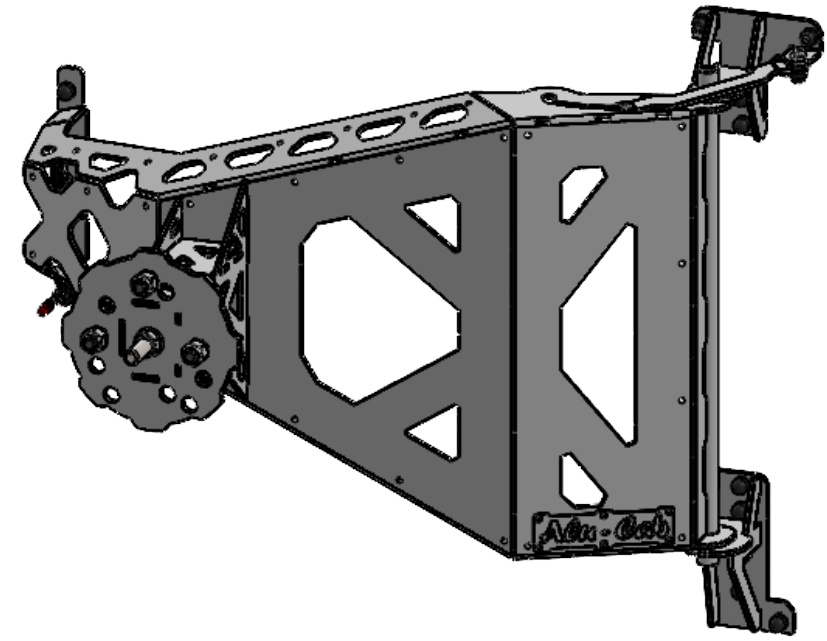



DETAIL B
SCALE 1 : 5

BOLTS REMOVED FOR CLARITY



DETAIL C
SCALE 1 : 5



TOLERANCES TO ASSUME UNLESS INDICATED OTHERWISE		MATERIAL DESCRIPTION:		MATERIAL THICKNESS (mm):	
NOM DIMENSION RANGE (mm)	TOLERANCE	DESCRIPTION:		SHEET: A3	SHEET 1 of 1
0.50 - 3.00	± 0.10	PROJECT: KH-SWSA		SCALE: 1:8	
3.00 - 6.00	± 0.15	DRAWN BY: System Administrator			
6.00 - 30	± 0.20	DATE: 2023-01-18			
30 - 120	± 0.30	DRAWING NO. KH-SWSA-GA		REV	
120 - 400	± 0.50	THE INFORMATION CONTAINED WITHIN THIS DOCUMENT IS THE INTELLECTUAL PROPERTY OF ALU-CAB (PTY) LTD			
400 - 1000	± 1.00				
1000 - 1000<	± 2.00				

REV.	DESCRIPTION	DATE	APPROVED