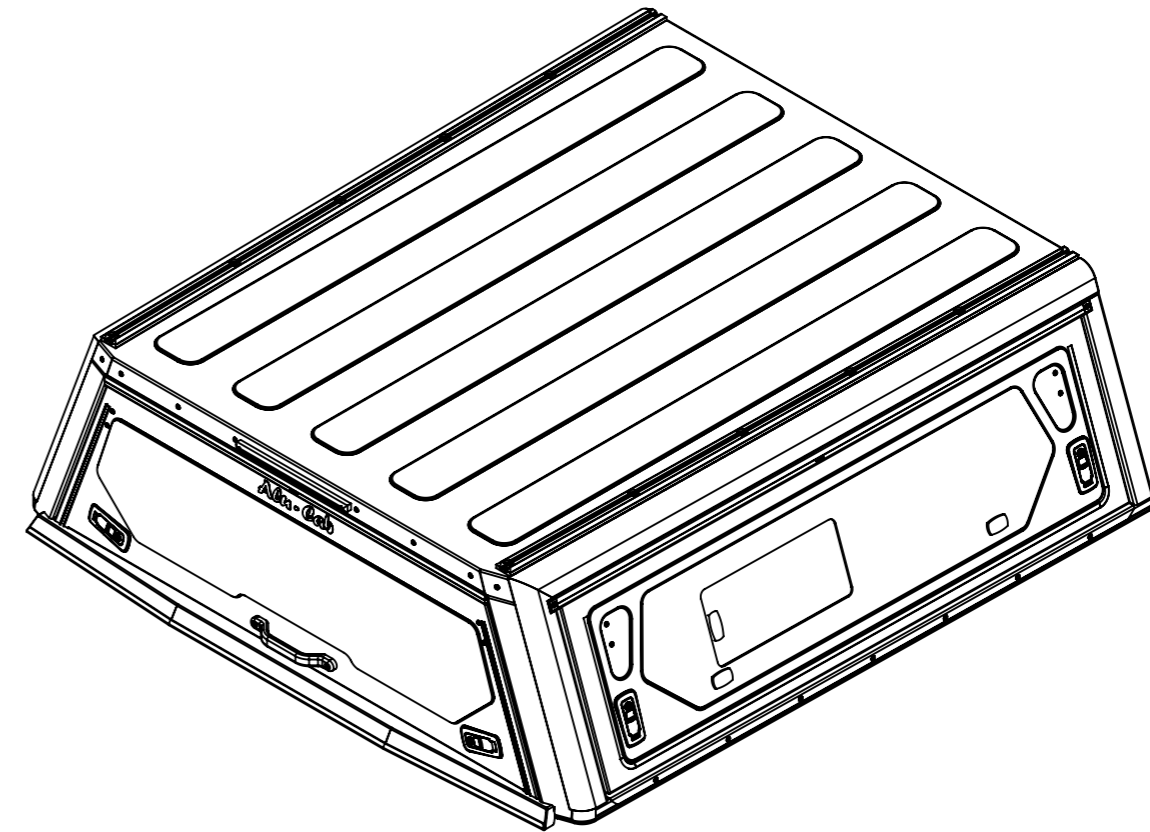
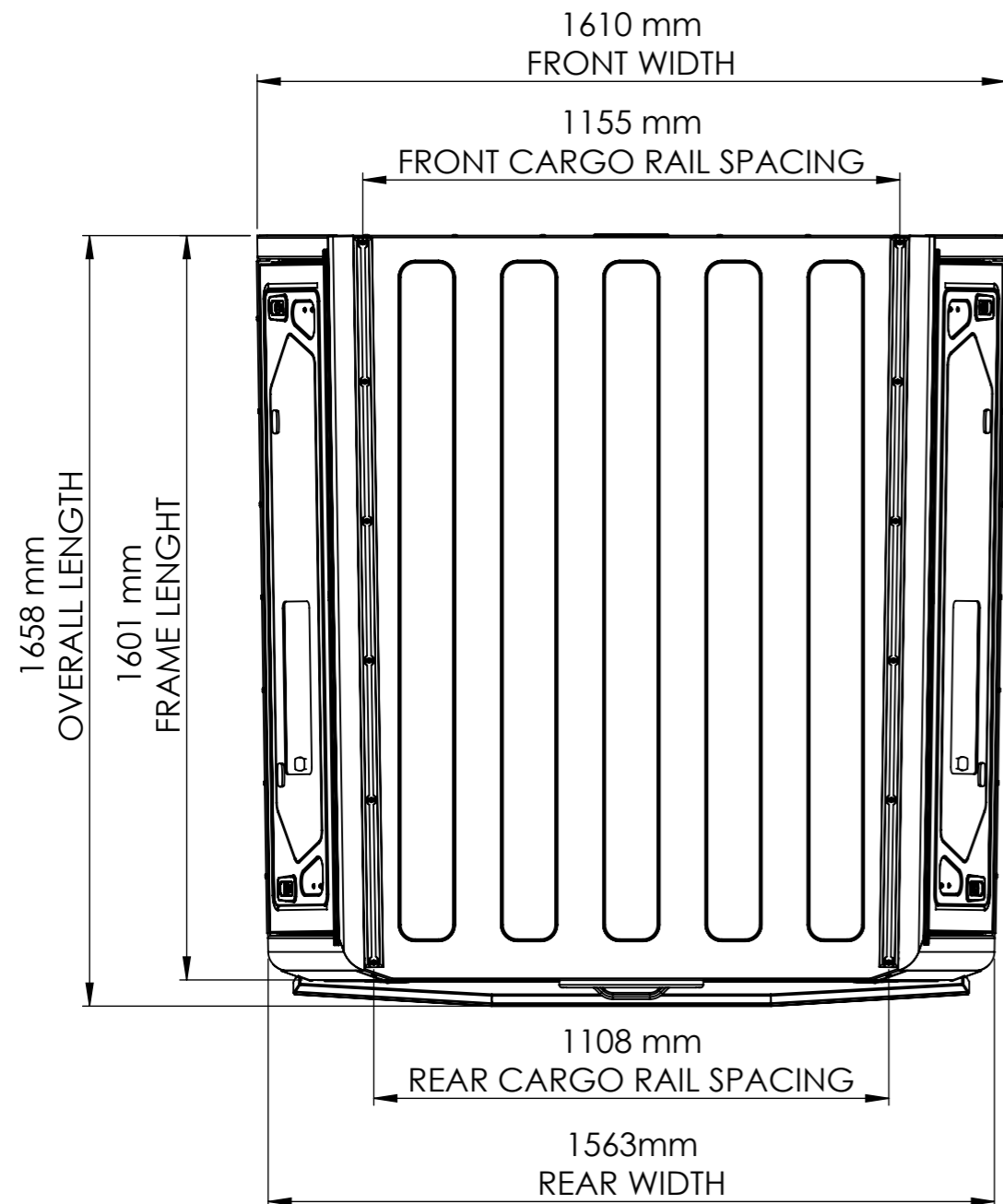
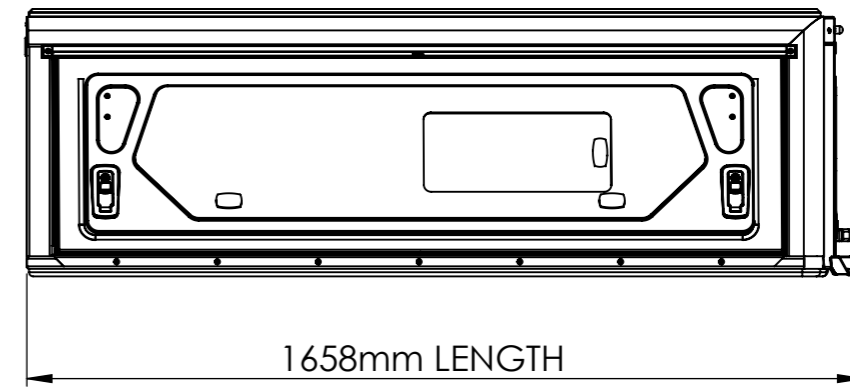
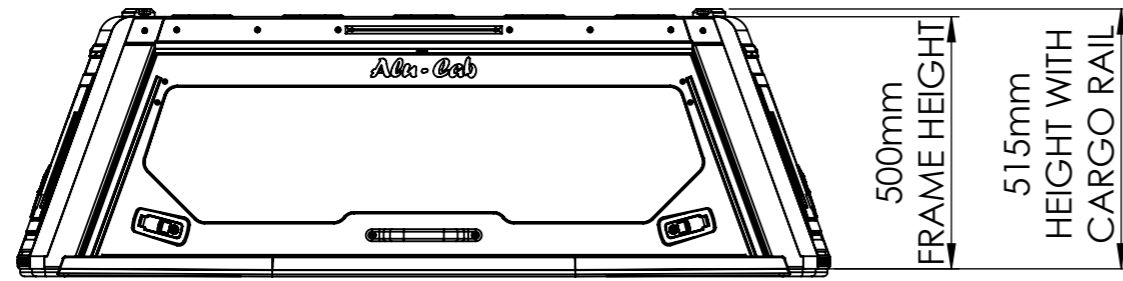


# GENERAL ARRANGEMENT ONLY



|   |            |                       |  |                          |                  |
|---|------------|-----------------------|--|--------------------------|------------------|
| TOLERANCES TO ASSUME UNLESS INDICATED OTHERWISE |            | MATERIAL DESCRIPTION: |  | MATERIAL THICKNESS (mm): |                  |
| NOM DIMENSION                                   | RANGE (mm) | TOLERANCE             | DESCRIPTION:   | SHEET:                   |                  |
| 0.50  | - 3.00     | ± 0.10                | VW AMAROK 2023 MAIN ASSEMBLY   | A3                       | SHEET 1 of 1     |
| 3.00  | - 6.00     | ± 0.15                |  |                          |                  |
| 6.00  | - 30       | ± 0.20                | PROJECT:   | SCALE:                   |                  |
| 30  | - 120      | ± 0.30                |  | 1:15                     |                  |
| 120   | - 400      | ± 0.50                | DRAWN BY:  | DATE:                    | DRAWING NO.      |
| 400   | - 1000     | ± 1.00                | Jac Braamse  | 2022-10-14               | C2-D-VA23-A00-GA |
| 1000  | - 1000<    | ± 2.00                | THE INFORMATION CONTAINED WITHIN THIS DOCUMENT IS THE INTELLECTUAL PROPERTY OF ALU-CAB (PTY) LTD |                          | REV              |
|   |            |                       |  |                          | 00               |

