

FITMENT INSTRUCTIONS

Alu-Cab™



Contour Canopy to suit Jeep Gladiator Fitment Instructions

All rights reserved. No part of this document may be reproduced, translated, stored in a retrieval system, or transmitted, in any form or by any means, electronic, mechanical, photocopying, recording or otherwise, without prior written permission of the owner.

Review all instructions information carefully before installation.

Any damages, direct or incidental to the installer and/or property due to incorrect installation of any parts are the responsibility of the installer. Due to the various applications and fitment options available, the responsibility lies with the user to ensure all mounting points are secure and tight before every trip. If unsure, consult with your Distributor regarding the operations of our products.

Users are advised to be mindful of the load they are carrying and drive in accordance with road conditions.

DISCLAIMER

Alu-Cab

1. Canopy Fitment – Tools, Fasteners & Hardware

The tables below show the equipment, i.e. tools and fasteners required to start the canopy fitment.

Tools Required:

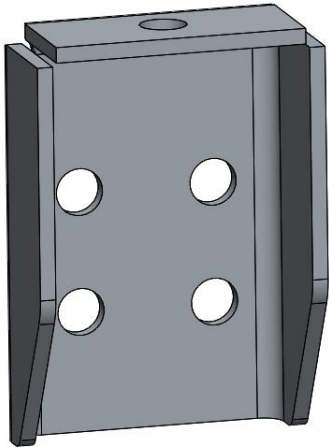
TOOL
Ratchet
13mm Socket
13mm Ring Flat Spanner
Measuring Tape

Fasteners required: (Included with canopy)

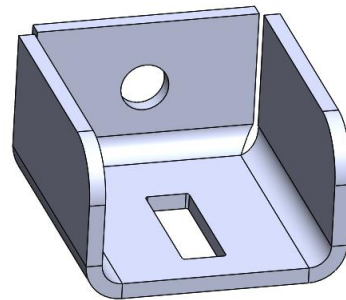
ITEM	QTY
M8x30mm Hex Bolts	6
M8x20mm Hex Bolts	18
M8 Flat Washer	18
M8 Spring Washer	12
M8 Nyloc Nut	12
M8 Plastic Nut Cap	30

Hardware Required: (Included with canopy)

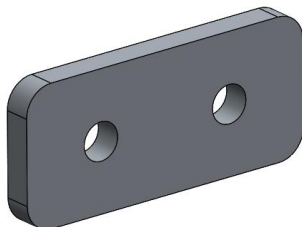
ITEM	QTY
Vertical Mounting Bracket	6
Top Mounting Bracket	6
Nut Plate	6
Shim Plate	24



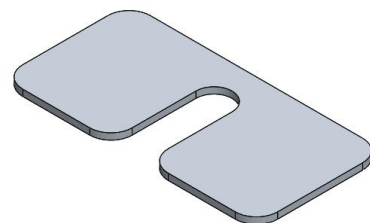
VERTICAL MOUNTING BRACKET



TOP MOUNTING BRACKET



NUT PLATE



SHIM PLATE



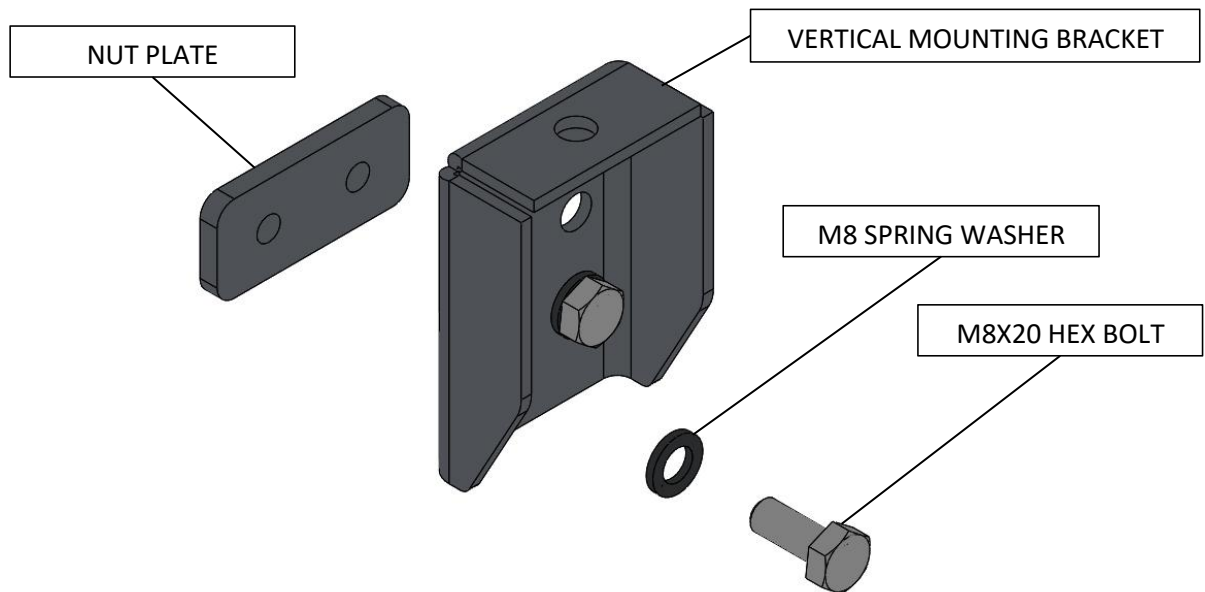
WARNING

Always wear appropriate PPE (Personal protection equipment) when fitting this product. Although the mounting kit is designed to be DIY, if you have any doubts or concerns, contact an accredited fitment centre to carry out the work. Alu-Cab will not be liable for any injury to persons, and/or damage to products and/or vehicles.

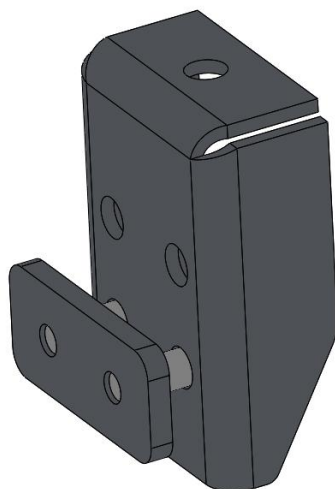
2. Mounting Bracket Fitment - Pre-Assembly

The canopy mounting brackets interface with the OEM Jeep Gladiator load bin rail system, making the installation a non-invasive one.

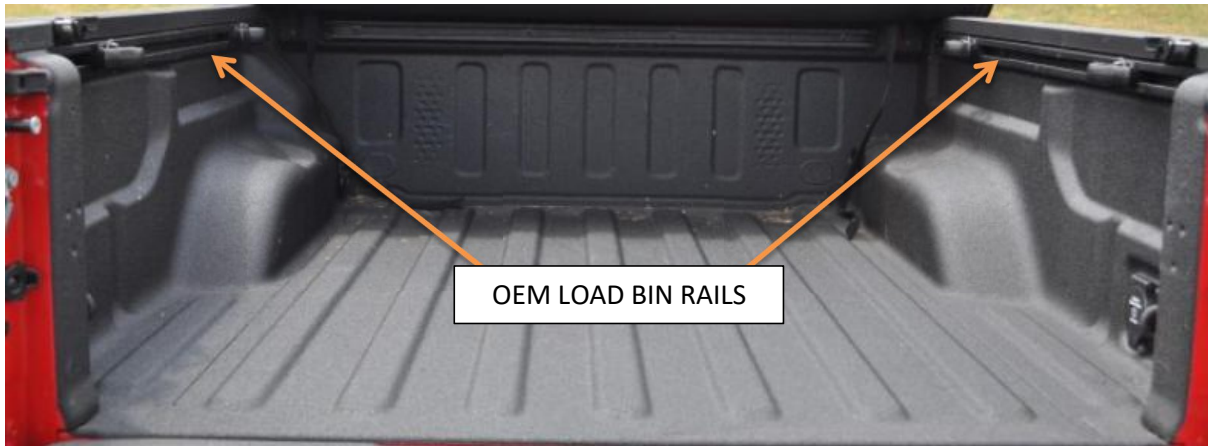
It is best practise to semi-assemble all six mounting brackets, as shown below, before sliding the nut plates into the rails.



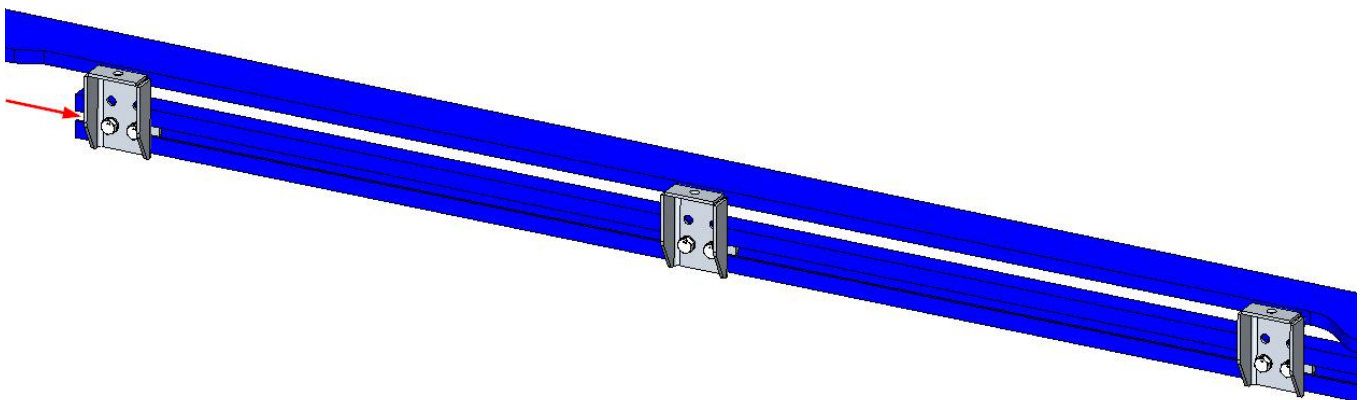
Insert M8X20 bolts, with M8 spring washers into the two lower holes of the vertical mounting bracket. Turn the bolts into the nut plate, so that only one or two threads engage. The semi-assembled mounting bracket will look like the image below:



3. Mounting Bracket Fitment to Load Bin Rails

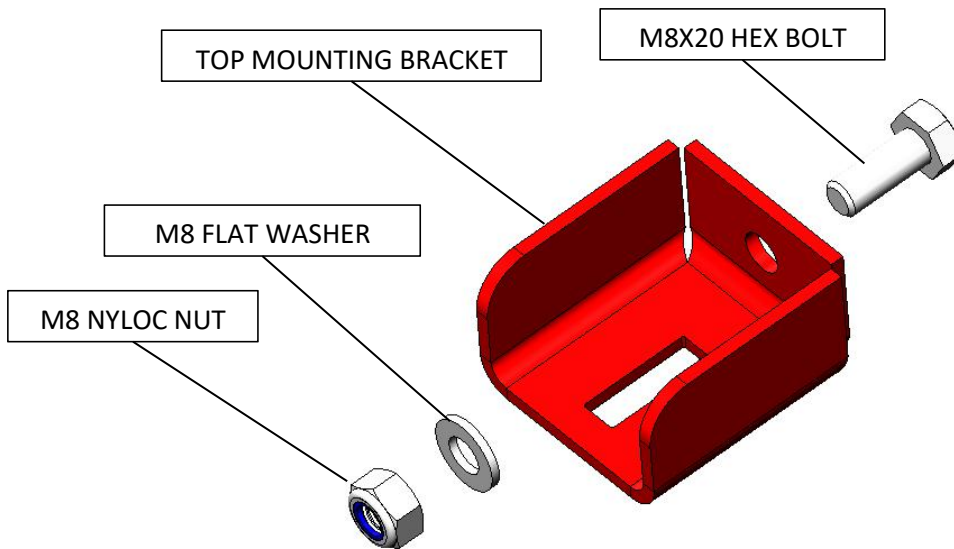


Slide the nut plates (loosely fastened to the pre-assembled brackets, in the last step) into the load bin rails, from the front, three on each side. Locate the pre-assembled mounting brackets so that one is as far forward as it will go in the rail, one is as far back as it will go in the rail, and the one in the middle is equally spaced between the front and rear brackets. Do this on both the left and right rails. Hand tighten the bolts, so that they do not shift out of their positions. Please see the image below:

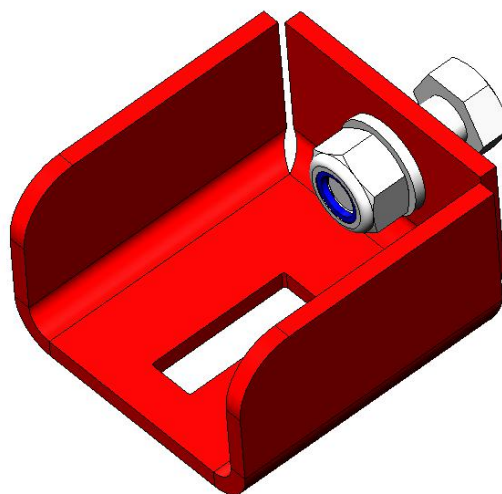


4. Mounting Bracket Fitment to Canopy

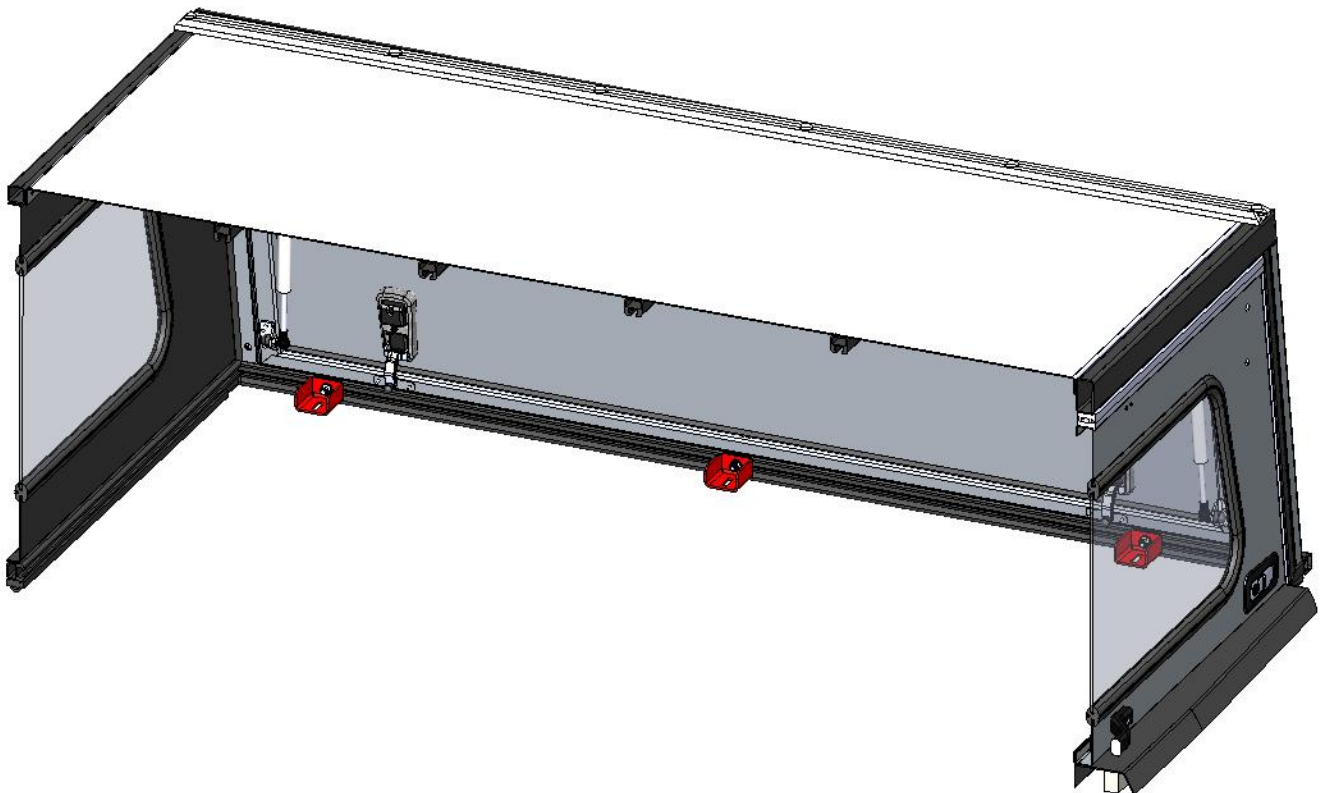
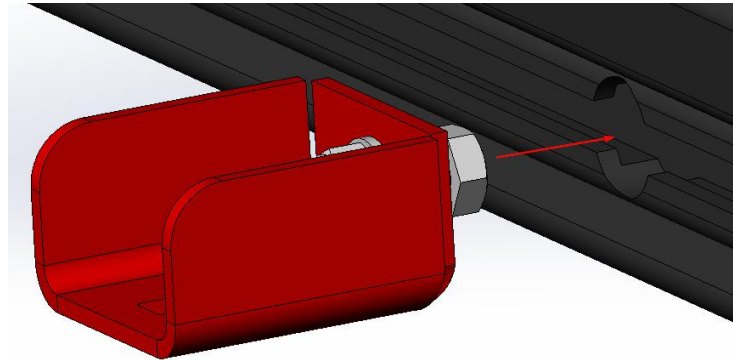
Pre-assemble the six Top Mounting Brackets as shown below (Only one or two threads of engagement into the nut required):



The six pre-assembled brackets will look like this:



Using the access holes on the nut slot frame of the canopy, slide three brackets into the left hand side, and three brackets into the right hand side. See images below:



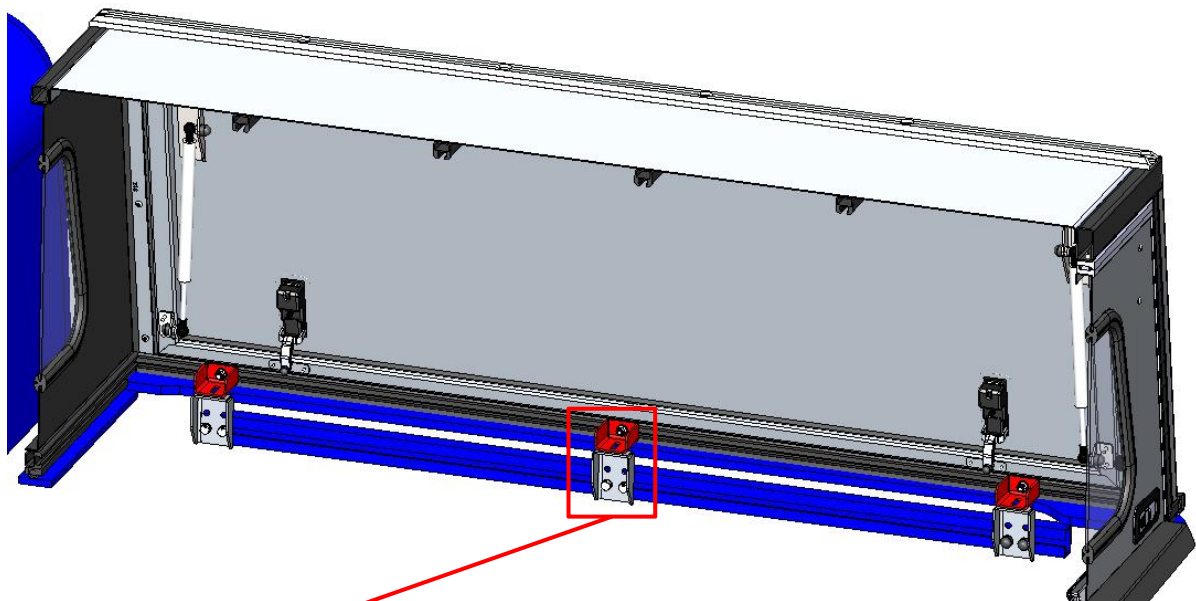
5. Canopy Fitment - Alignment

Lift the canopy onto the load bin, and align it left to right, and front to back. Ensure that the canopy's rear door tail seal clears the vehicle's tailgate.

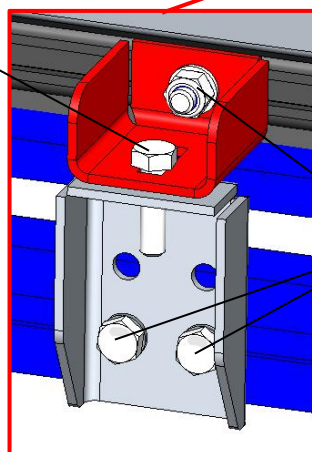
From inside the load bin, slide the Top Mounting Brackets, in the canopy's nut slots on either side, until they align with the Vertical Mounting Brackets, already located in the load bin rails.

Use the provided M8X30 hex bolts to check alignment, but do not fasten the brackets together.

Once alignment is confirmed, tighten the fasteners into the canopy nut slot, and into the load bin rails. Do this for all six mounting locations. See images below:



M8X30 HEX BOLT
(CHECK ALIGNMENT)

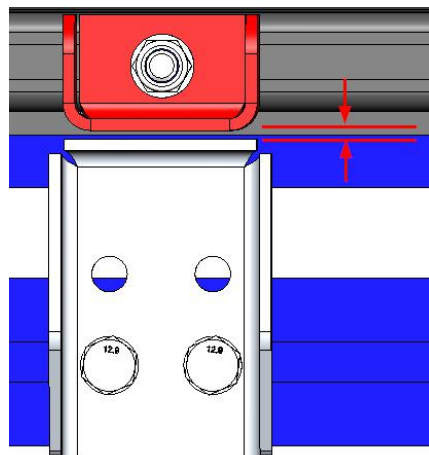


TIGHTEN

6. Canopy Fitment - Spacing with Shim Plates

This last step is extremely important, as it ensures that the load of the newly fitted canopy is correctly directed into the load bearing rails, as opposed to lying directly on the load bin walls.

Use a measuring tape to check the distance between the Vertical Mount Bracket and the Top Mount Bracket. Check all six mounting locations, as this may differ slightly from front to back, and note these measurements. See image below:



These measurements will allow you to select the correct number of Shim Plates to use. Four Shim Plates are supplied for each of the six mounting sub-assemblies. The supplied Shim Plates vary in thicknesses from 0.9mm to 1.6mm.

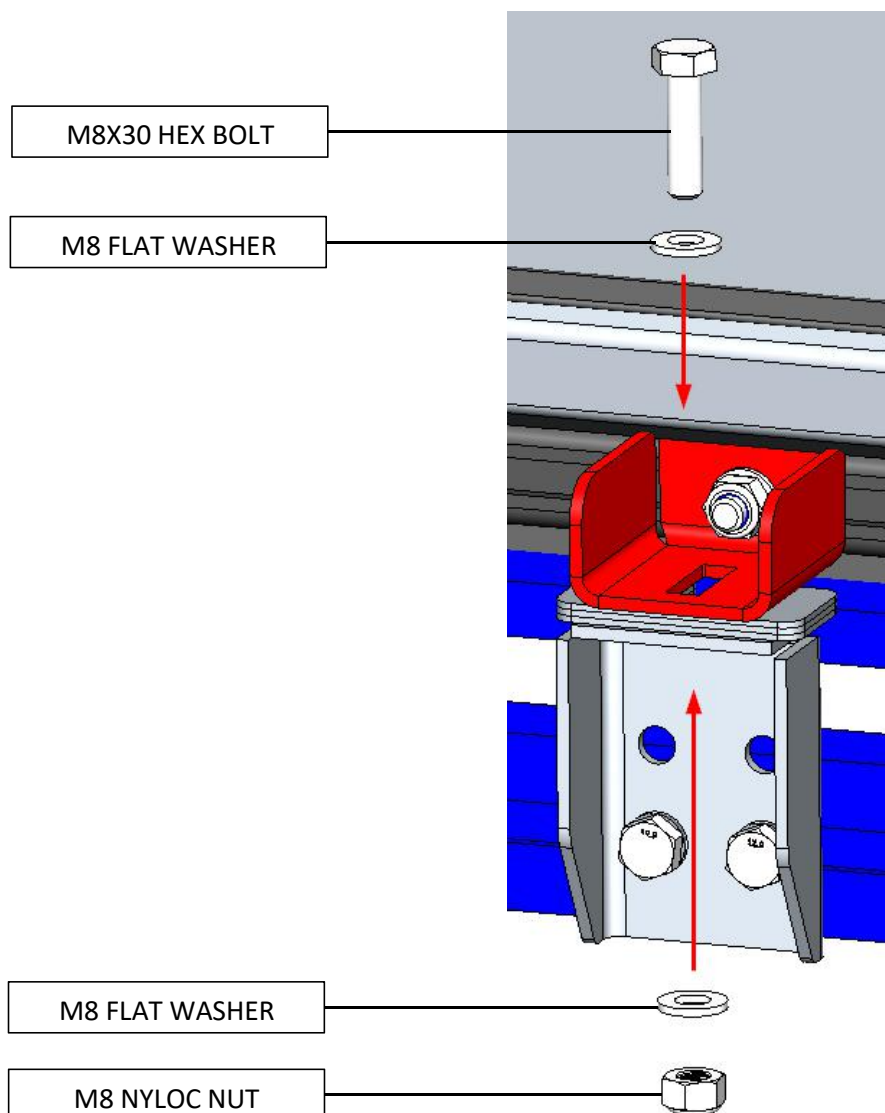
1 Shim Plate	0.9 - 1.6mm
2 Shim Plates	1.8 - 3.2mm
3 Shim Plates	2.7 - 4.8mm
4 Shim Plates	3.6 - 6.4mm

Always ensure that you use a stack up, of Shim Plates, that exceeds your measurement by at least 1.5mm. Always measure the total thickness of the Shim Plate stack for accurate spacing.

Example: Measured Distance = 2.5mm | Measured Shim Stack = 4.8mm (+2.3mm)

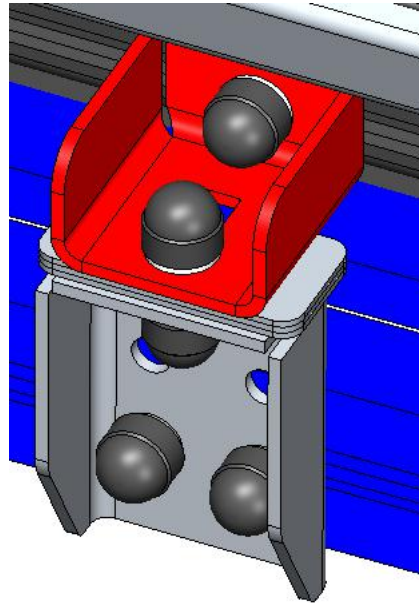
7. Canopy Fitment - Final Fitment

Insert the correct number of Shim Plates, as per Step 6. Insert an M8X30 hex bolt and M8 flat washer from above, and an M8 flat washer and M8 nyloc nut from underneath. Tighten these fasteners. Do this for all six mounting locations. See image below:



Before finalising the fitment, do a walk around of the canopy and ensure that the sealing gasket is correctly compressed between the canopy frame and the load bin walls.

Once this is checked, you can push the M8 nut caps onto the exposed bolt heads and nyloc nuts. See image below:



The canopy is now fitted correctly!

