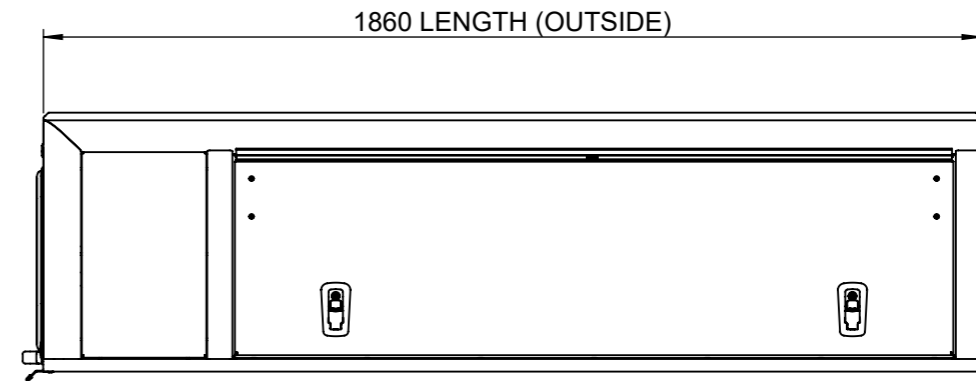
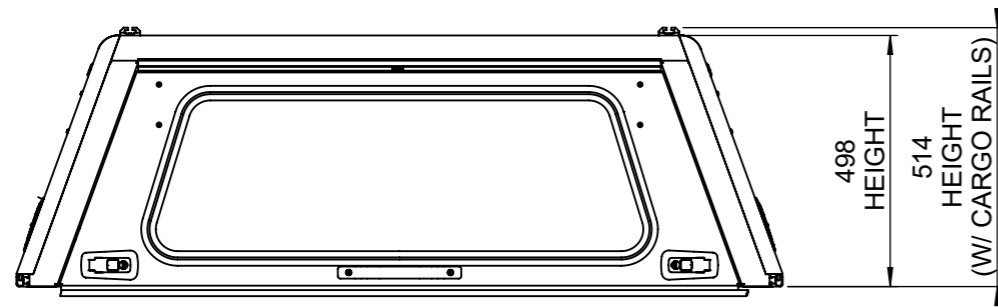
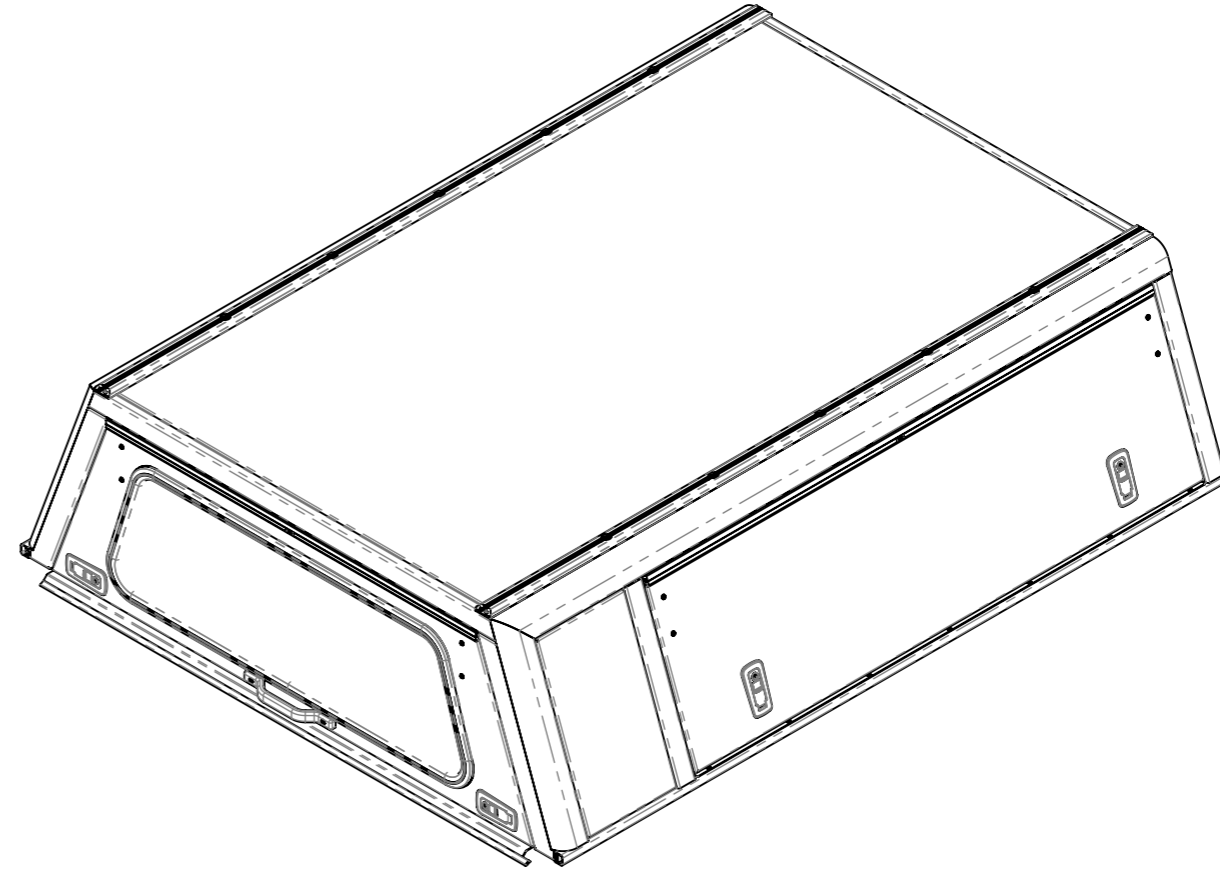
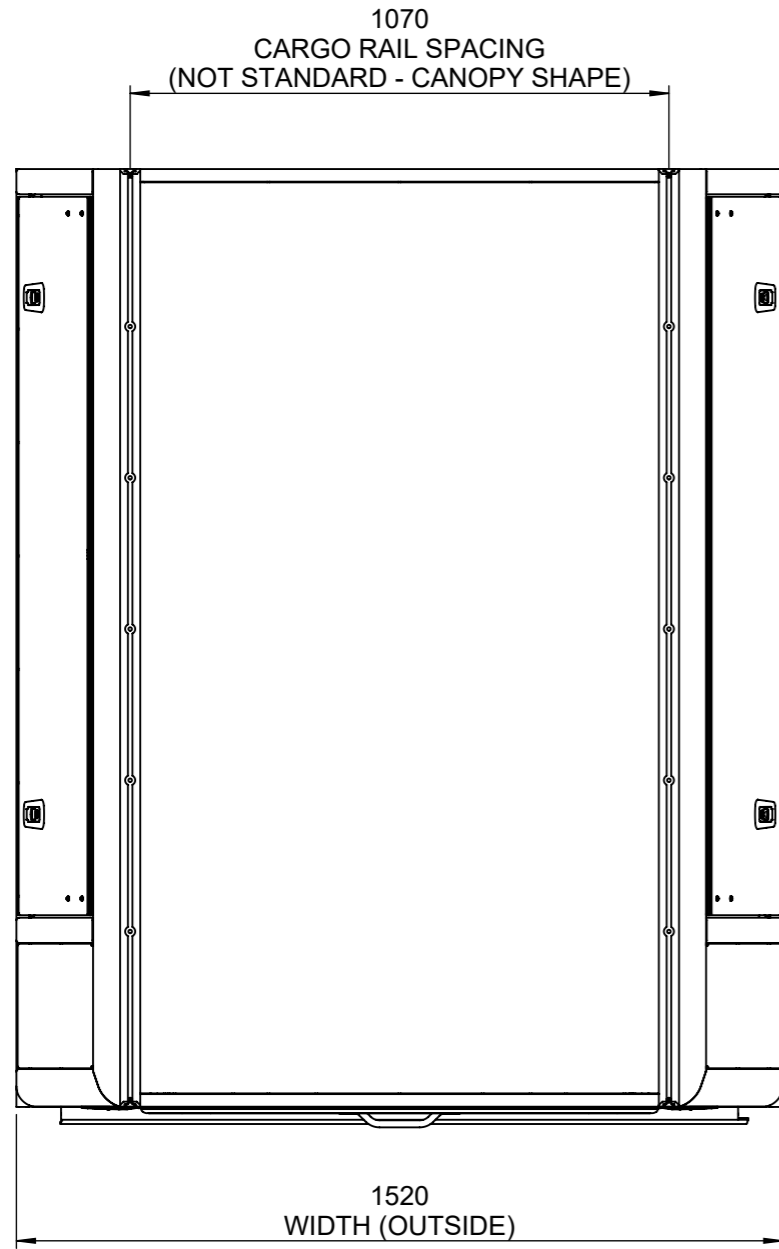


# GENERAL ARRANGEMENT ONLY

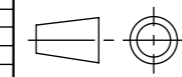


TOLERANCES TO ASSUME  
UNLESS INDICATED OTHERWISE

NOM DIMENSION	RANGE (mm)	TOLERANCE
0.50	- 3.00	± 0.10
3.00	- 6.00	± 0.15
6.00	- 30	± 0.20
30	- 120	± 0.30
120	- 400	± 0.50
400	- 1000	± 1.00
1000	- 1000<	± 2.00

DESCRIPTION:  
**MITSUBISHI L200 (TRITON) XC - GA**

PROJECT:  
**EXPLORER CANOPY**



DRAWN BY:  
**B NEEDHAM**

DATE:  
**12.08.20**

THE INFORMATION CONTAINED WITHIN THIS DOCUMENT  
IS THE INTELLECTUAL PROPERTY OF ALU-CAB (PTY) LTD

SHEET:  
**A3**

SHEET  
1 of 1

SCALE:  
1:15



DRAWING NO.

**EX CANOPY GA - MITSUBISHI L200 (TRITON) XC**

REV

**00**

## REVISIONS

REV.	DESCRIPTION	ECO	DATE	APPROVED
1				
2				
3				
4				
5				