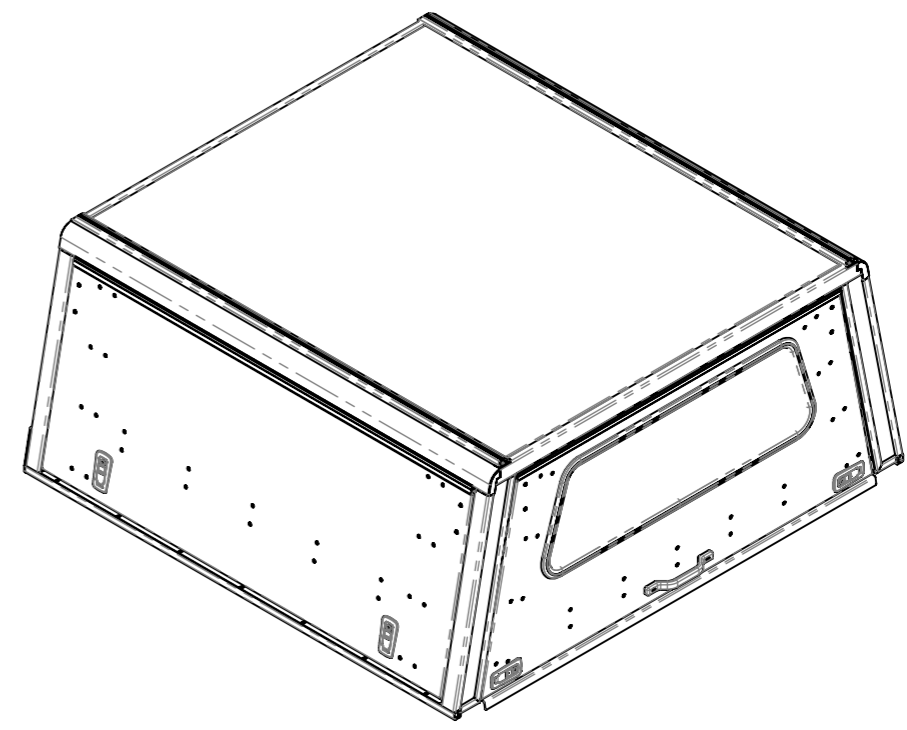
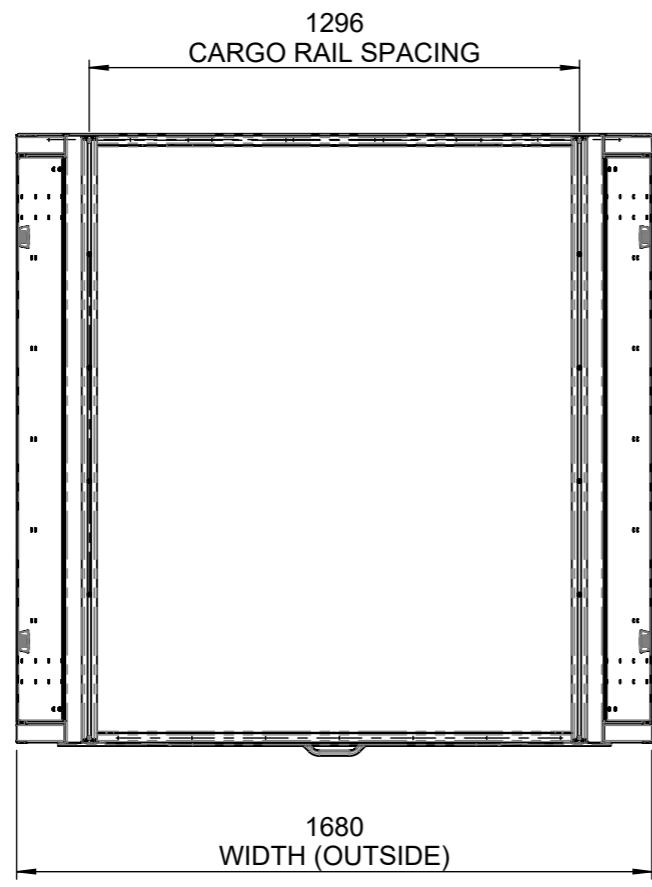
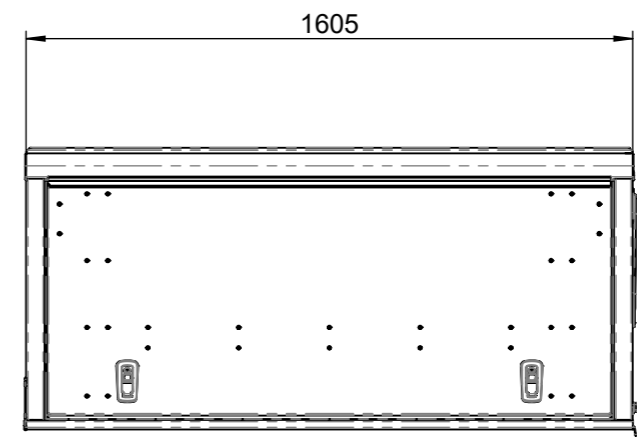
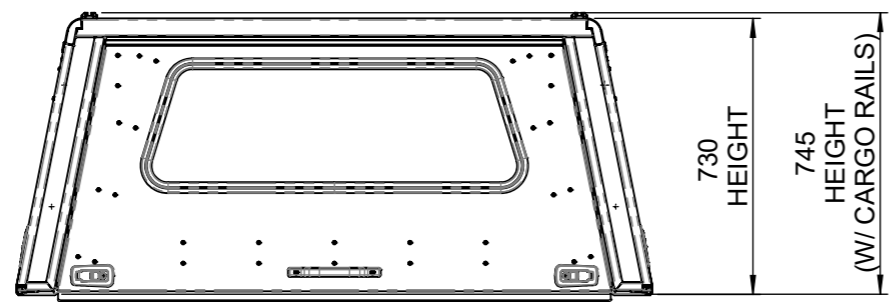


# GENERAL ARRANGEMENT ONLY

|           |            |  |
|-----------|------------|--|
| ASSY INFO | MASS (kg): |  |
|           | BONDED:    |  |
|           | FASTENED:  |  |
| FINISH    | WELDED:    |  |
|           | TUMBLED:   |  |
|           | BRUSHED:   |  |
|           | POWDER:    |  |
|           | SPRAY:     |  |
|           | COLOUR:    |  |



**TOLERANCES TO ASSUME UNLESS INDICATED OTHERWISE**

| NOM  | DIMENSION | RANGE (mm) | TOLERANCE |
|------|-----------|------------|-----------|
| 0.50 | -         | 3.00       | ± 0.10    |
| 3.00 | -         | 6.00       | ± 0.15    |
| 6.00 | -         | 30         | ± 0.20    |
| 30   | -         | 120        | ± 0.30    |
| 120  | -         | 400        | ± 0.50    |
| 400  | -         | 1000       | ± 1.00    |
| 1000 | -         | 1000<      | ± 2.00    |

DESCRIPTION: **TOYOTA L/CRUISER DC CANOPY-GA**

PROJECT: -

DRAWN BY: T.MOODALY

DATE: 31-08-2020

THE INFORMATION CONTAINED WITHIN THIS DOCUMENT IS THE INTELLECTUAL PROPERTY OF ALU-CAB (PTY) LTD

SHEET: A3

SCALE: 1:20

SHEET 1 of 2



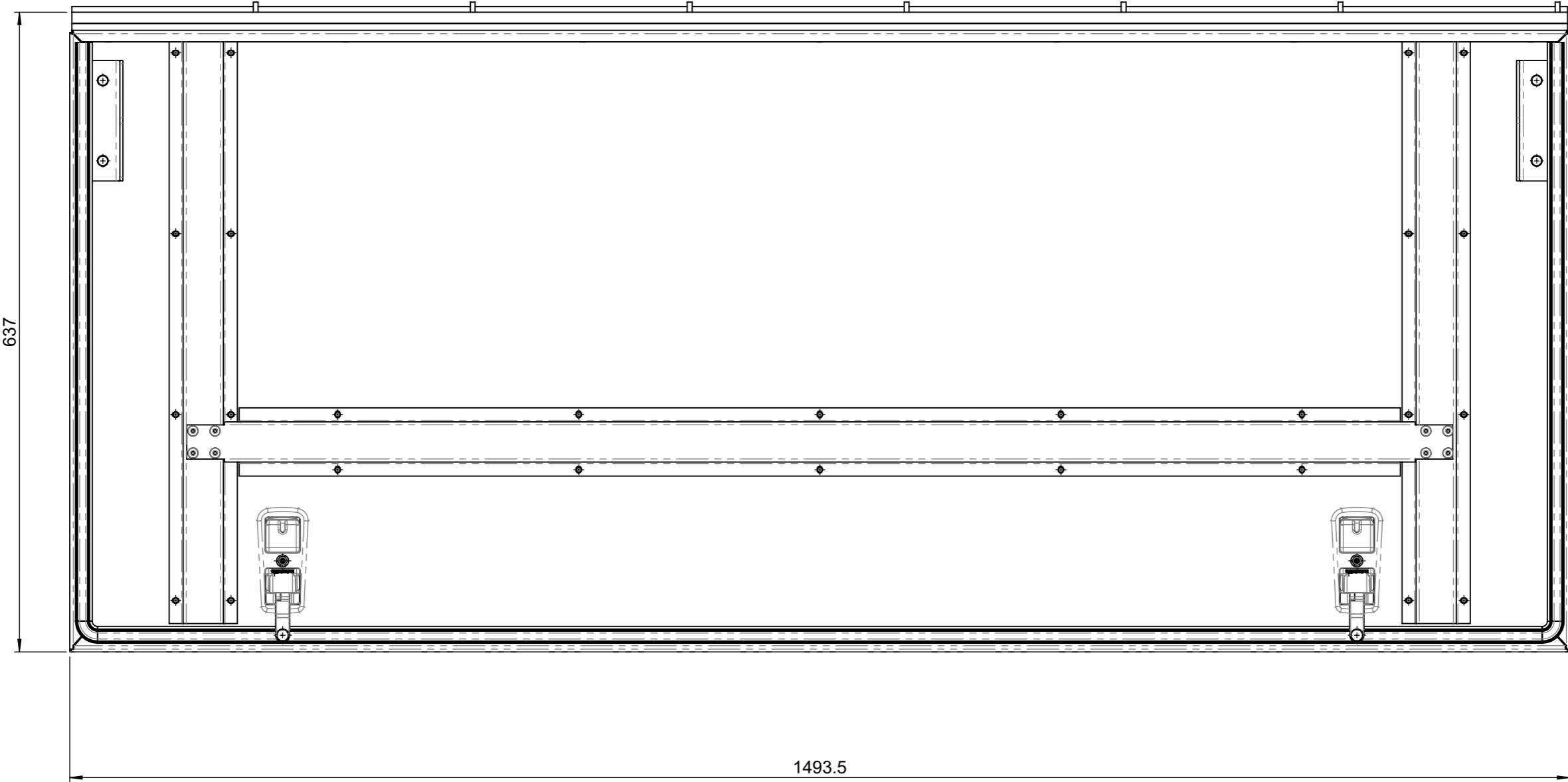
DRAWING NO. **EX CANOPY GA - TOYOTA LAND CRUISER DC**

| REV. | DESCRIPTION | DATE | APPROVED |
|------|-------------|------|----------|
|      |             |      |          |

# GENERAL ARRANGEMENT ONLY

## SIDE DOOR ASSEMBLY

|           |            |  |
|-----------|------------|--|
| ASSY INFO | MASS (kg): |  |
|           | BONDED:    |  |
|           | FASTENED:  |  |
| FINISH    | WELDED:    |  |
|           | TUMBLED:   |  |
|           | BRUSHED:   |  |
|           | POWDER:    |  |
|           | SPRAY:     |  |
|           | COLOUR:    |  |



**TOLERANCES TO ASSUME UNLESS INDICATED OTHERWISE**

| NOM DIMENSION | RANGE (mm) | TOLERANCE |
|---------------|------------|-----------|
| 0.50          | - 3.00     | ± 0.10    |
| 3.00          | - 6.00     | ± 0.15    |
| 6.00          | - 30       | ± 0.20    |
| 30            | - 120      | ± 0.30    |
| 120           | - 400      | ± 0.50    |
| 400           | - 1000     | ± 1.00    |
| 1000          | - 1000<    | ± 2.00    |

DESCRIPTION: **TOYOTA L/CRUISER DC CANOPY-GA**

PROJECT: -

DRAWN BY: T.MOODALY      DATE: 31-08-2020

THE INFORMATION CONTAINED WITHIN THIS DOCUMENT IS THE INTELLECTUAL PROPERTY OF ALU-CAB (PTY) LTD

SHEET: A3  
SCALE: 1:20  
SHEET 2 of 2



DRAWING NO. **EX CANOPY GA - TOYOTA LAND CRUISER DC**      REV