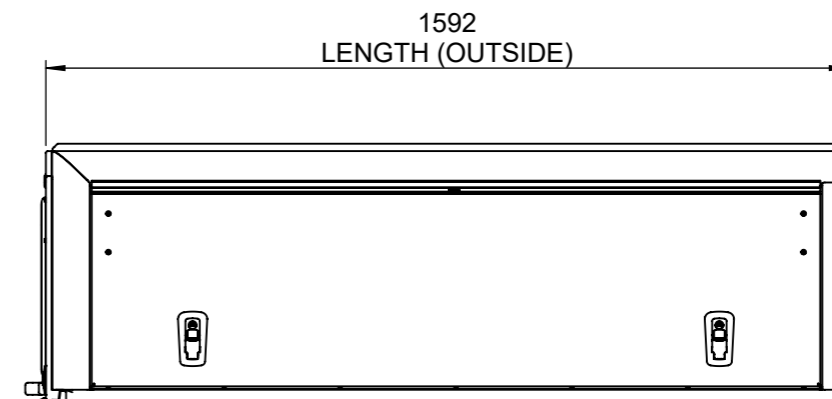
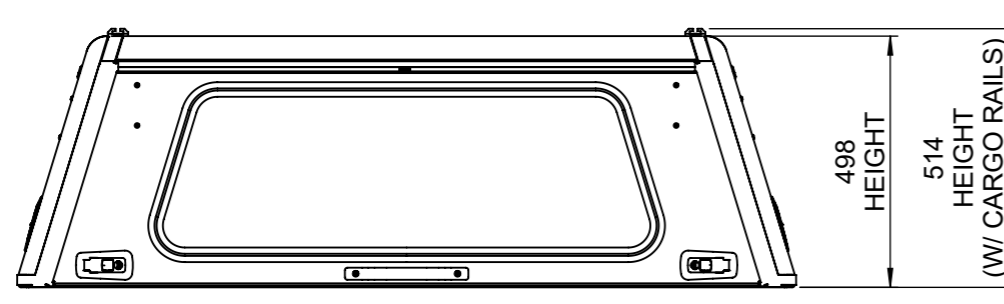
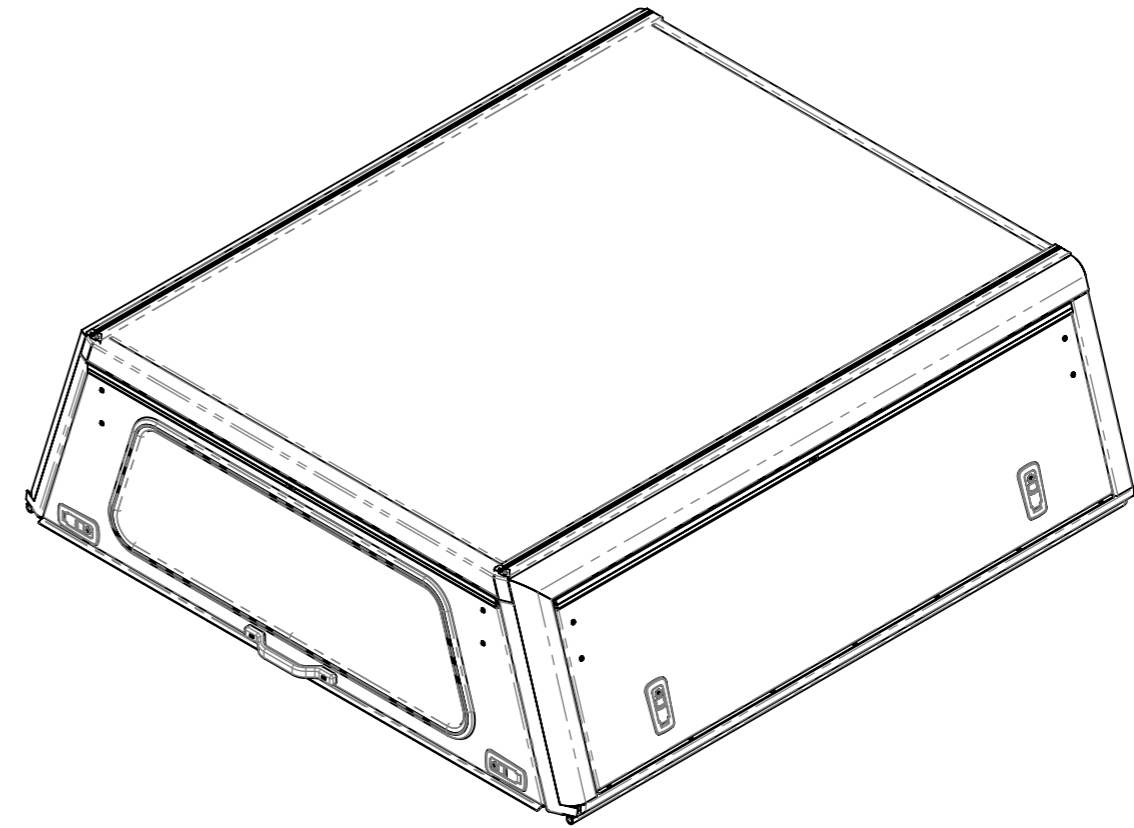
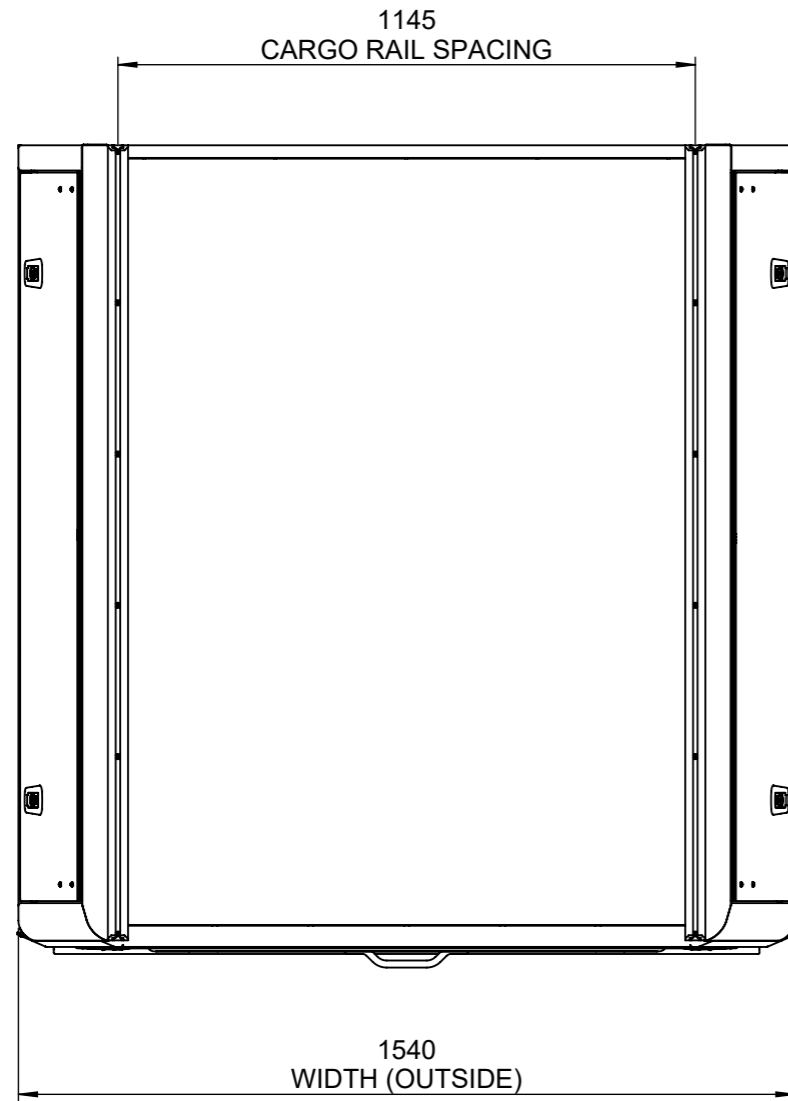


GENERAL ARRANGEMENT ONLY



TOLERANCES TO ASSUME
UNLESS INDICATED OTHERWISE

| NOM DIMENSION | RANGE (mm) | TOLERANCE |
|---------------|------------|-----------|
| 0.50 | - 3.00 | ± 0.10 |
| 3.00 | - 6.00 | ± 0.15 |
| 6.00 | - 30 | ± 0.20 |
| 30 | - 120 | ± 0.30 |
| 120 | - 400 | ± 0.50 |
| 400 | - 1000 | ± 1.00 |
| 1000 | - 1000< | ± 2.00 |

DESCRIPTION:

NISSAN NP300 (EU) DC - GA

PROJECT:

EXPLORER CANOPY

DRAWN BY:
B NEEDHAM

DATE:
28.02.20

THE INFORMATION CONTAINED WITHIN THIS DOCUMENT
IS THE INTELLECTUAL PROPERTY OF ALU-CAB (PTY) LTD

SHEET:
A4

SHEET
1 of 1

SCALE:
1:15

Alu-CabTM
ULTIMATE OVERLAND PRODUCTS

DRAWING NO.

EX CANOPY GA - NISSAN NP300 (EU) DC

REV

00

REVISIONS

| REV. | DESCRIPTION | ECO | DATE | APPROVED |
|------|-------------|-----|------|----------|
| 1 | | | | |
| 2 | | | | |
| 3 | | | | |
| 4 | | | | |
| 5 | | | | |