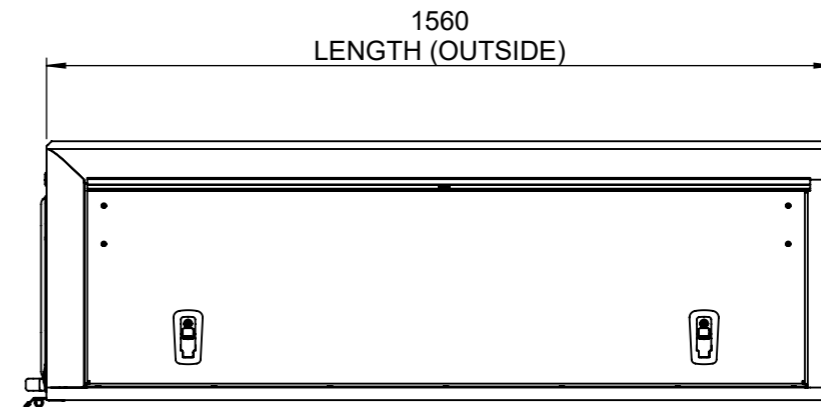
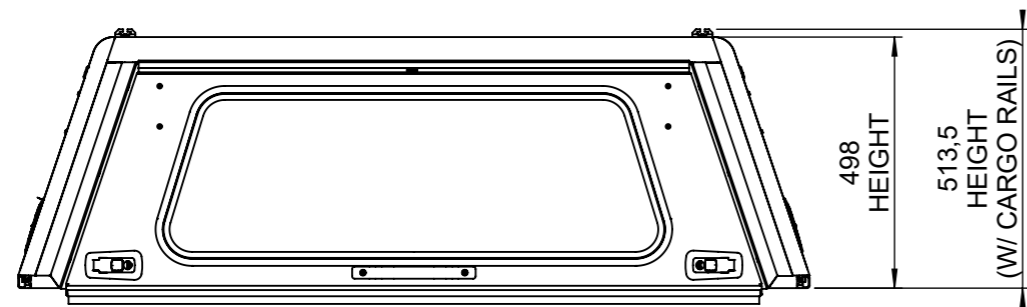
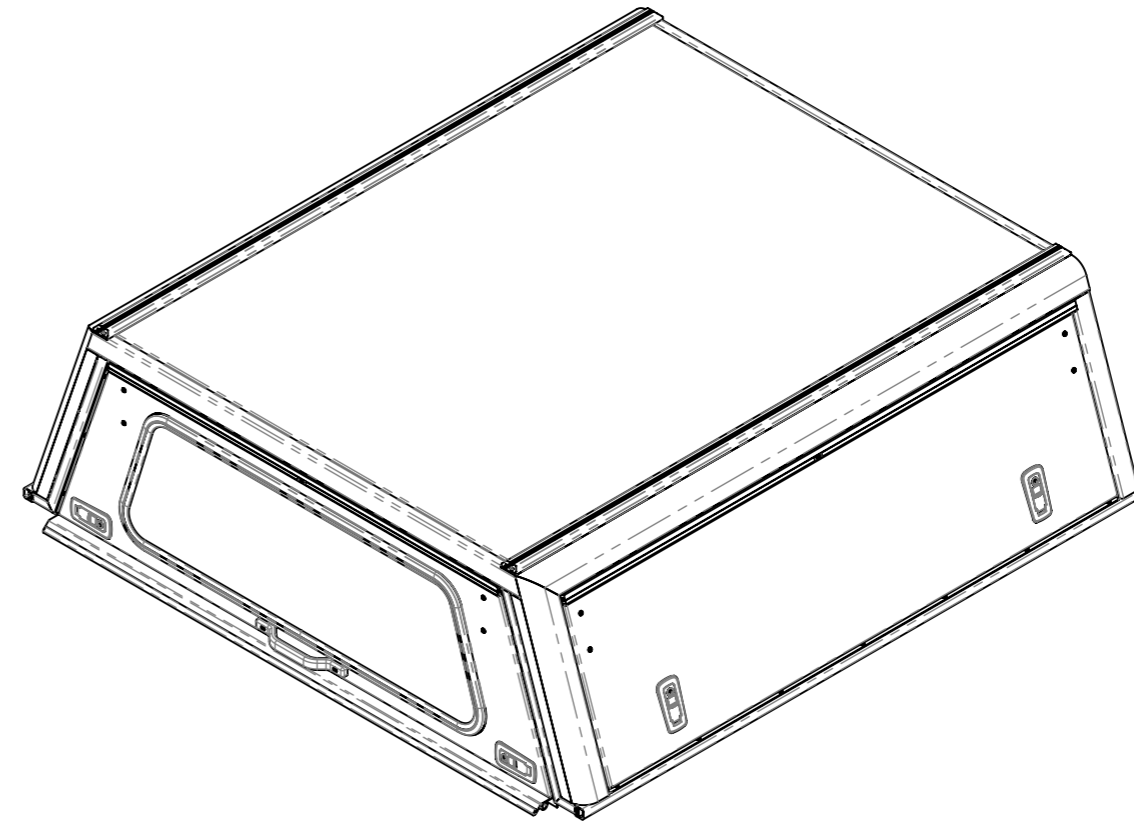
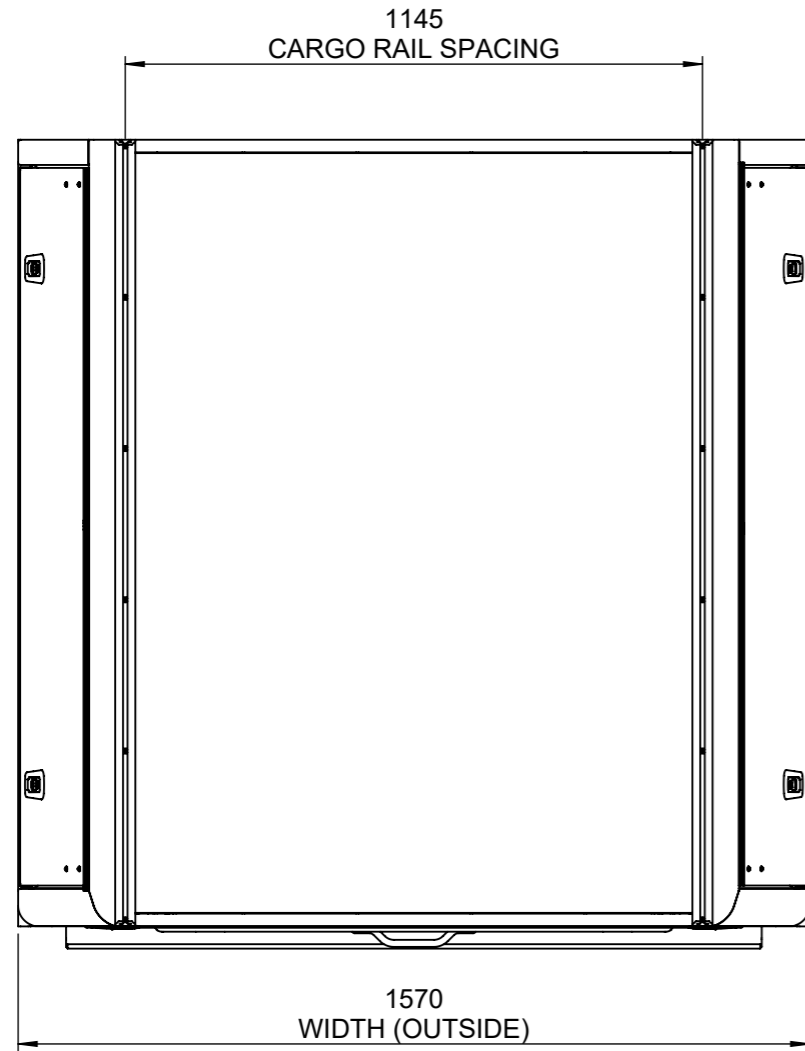


GENERAL ARRANGEMENT ONLY

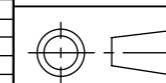


TOLERANCES TO ASSUME
UNLESS INDICATED OTHERWISE

NOM DIMENSION	RANGE (mm)	TOLERANCE
0,50	- 3,00	± 0,10
3,00	- 6,00	± 0,15
6,00	- 30	± 0,20
30	- 120	± 0,30
120	- 400	± 0,50
400	- 1000	± 1,00
1000	- 1000<	± 2,00

DESCRIPTION:
FORD RANGER DC - GA

PROJECT:
EXPLORER CANOPY



DRAWN BY:
B NEEDHAM

DATE:
18.02.20

THE INFORMATION CONTAINED WITHIN THIS DOCUMENT
IS THE INTELLECTUAL PROPERTY OF ALU-CAB (PTY) LTD

SHEET:
A4

SCALE:
1:15

SHEET
1 of 1



DRAWING NO.
EX CANOPY GA - FORD RANGER DC

REV

00

REVISIONS

REV.	DESCRIPTION	ECO	DATE	APPROVED
1				
2				
3				
4				
5				