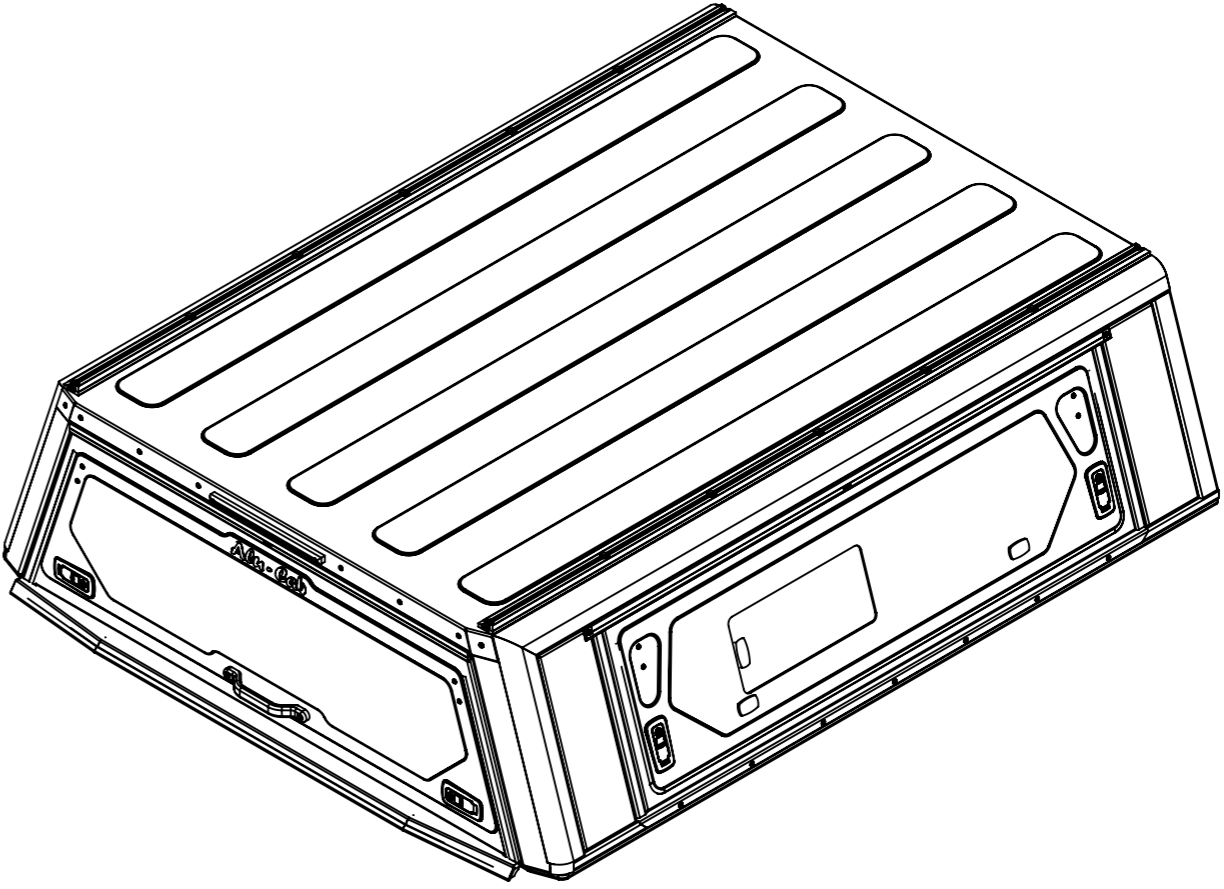
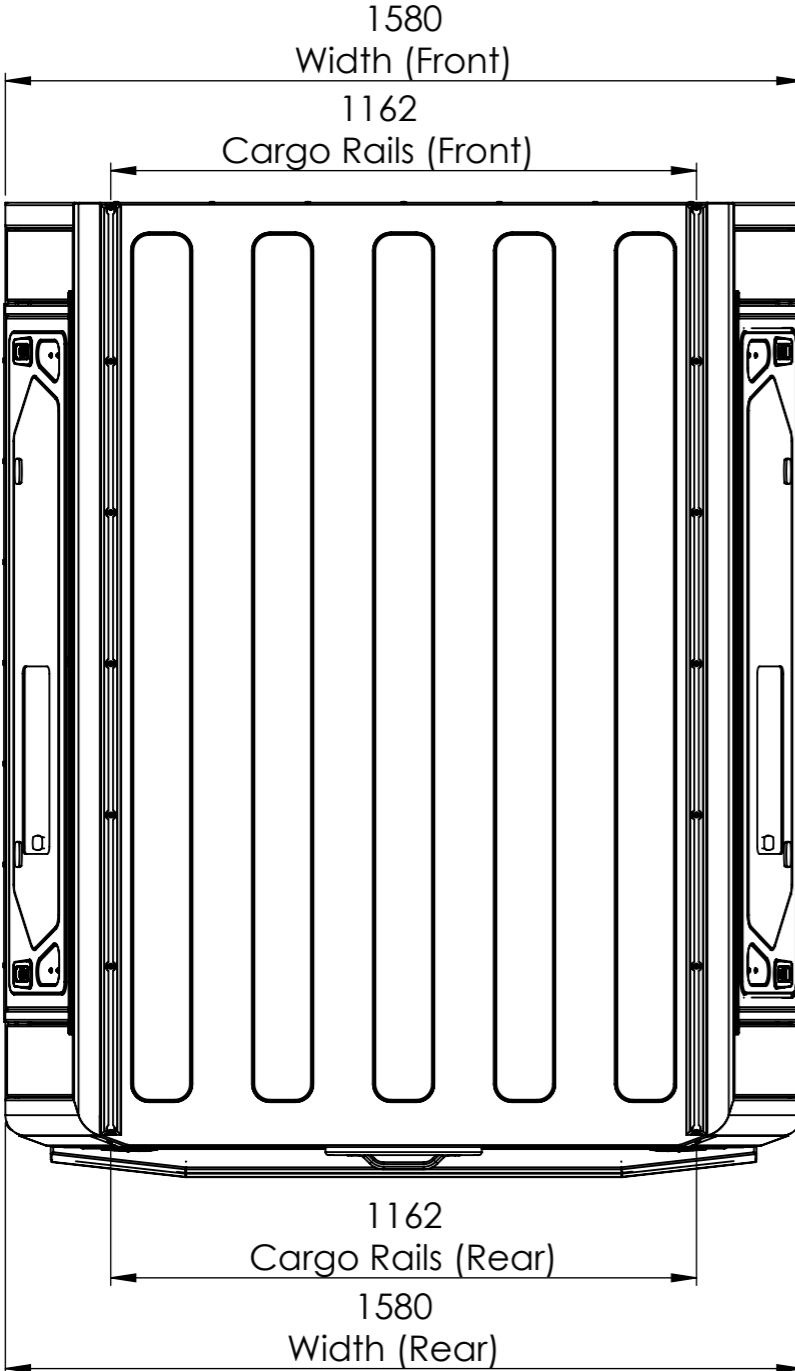
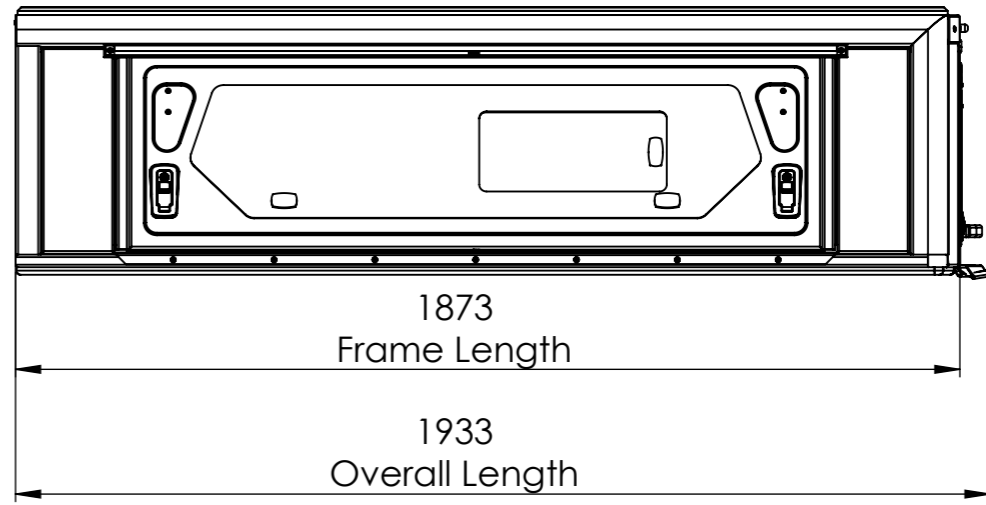
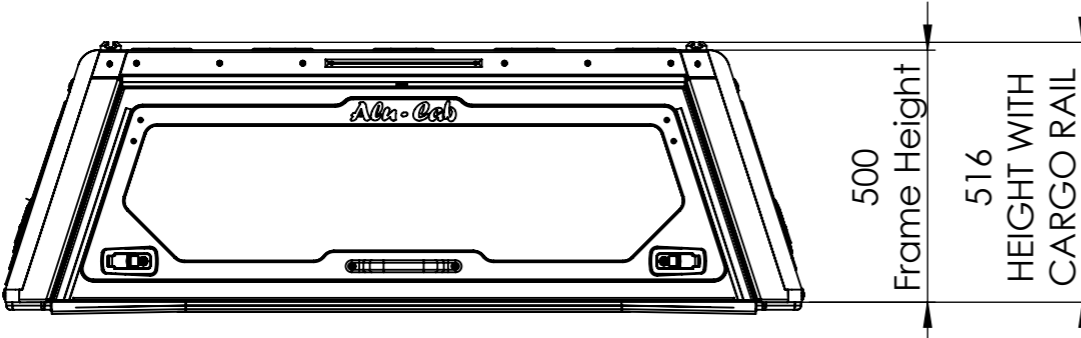


GENERAL ARRANGEMENT ONLY



<p>TOLERANCES TO ASSUME UNLESS INDICATED OTHERWISE</p> <table border="1"> <thead> <tr> <th>NOM DIMENSION</th> <th>RANGE (mm)</th> <th>TOLERANCE</th> </tr> </thead> <tbody> <tr> <td>0.50</td> <td>- 3.00</td> <td>± 0.10</td> </tr> <tr> <td>3.00</td> <td>- 6.00</td> <td>± 0.15</td> </tr> <tr> <td>6.00</td> <td>- 30</td> <td>± 0.20</td> </tr> <tr> <td>30</td> <td>- 120</td> <td>± 0.30</td> </tr> <tr> <td>120</td> <td>- 400</td> <td>± 0.50</td> </tr> <tr> <td>400</td> <td>- 1000</td> <td>± 1.00</td> </tr> <tr> <td>1000</td> <td>- 1000<</td> <td>± 2.00</td> </tr> </tbody> </table>		NOM DIMENSION	RANGE (mm)	TOLERANCE	0.50	- 3.00	± 0.10	3.00	- 6.00	± 0.15	6.00	- 30	± 0.20	30	- 120	± 0.30	120	- 400	± 0.50	400	- 1000	± 1.00	1000	- 1000<	± 2.00	<p>MATERIAL DESCRIPTION:</p> <p>DESCRIPTION: HILUX REVO XC MAIN ASSEMBLY</p> <p>PROJECT: C2-X-TH16</p>		<p>MATERIAL THICKNESS (mm):</p>	
NOM DIMENSION	RANGE (mm)	TOLERANCE																											
0.50	- 3.00	± 0.10																											
3.00	- 6.00	± 0.15																											
6.00	- 30	± 0.20																											
30	- 120	± 0.30																											
120	- 400	± 0.50																											
400	- 1000	± 1.00																											
1000	- 1000<	± 2.00																											
<p>DRAWN BY: Gideon Muller</p> <p>DATE: 2022-09-16</p> <p>THE INFORMATION CONTAINED WITHIN THIS DOCUMENT IS THE INTELLECTUAL PROPERTY OF ALU-CAB (PTY) LTD</p>		<p>SHEET: A3</p> <p>SCALE: 1:15</p> <p>SHEET 1 of 1</p>		<p>DRAWING NO. C2-X-TH16-A00-GA</p>																									
<p>Alu-Cab™ ULTIMATE OVERLAND PRODUCTS</p>				<p>REV 00</p>																									