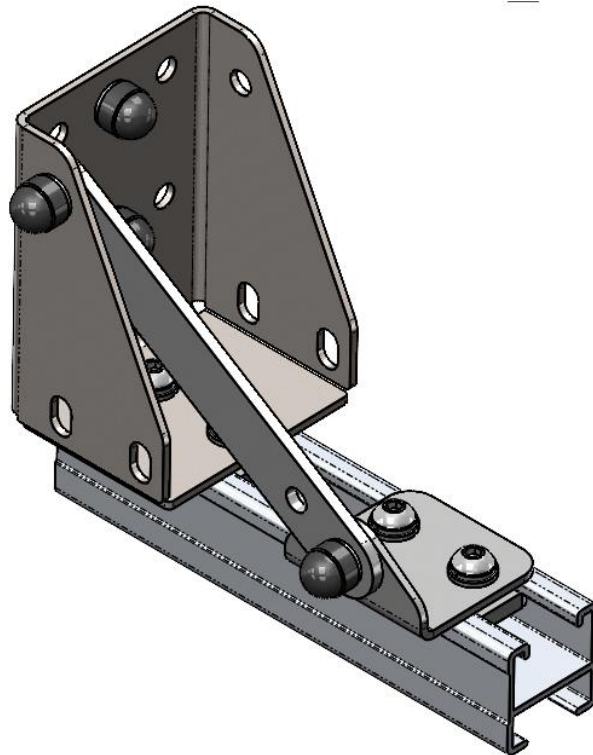


# FITMENT INSTRUCTIONS

**Alu-Cab™**



## 180° AWNING TO RHINO LOAD BAR MOUNTING KIT AWN-BKT-RH-LB

All rights reserved. No part of this document may be reproduced, translated, stored in a retrieval system, or transmitted, in any form or by any means, electronic, mechanical, photocopying, recording or otherwise, without prior written permission of the owner.

Review all instructions information carefully before installation.

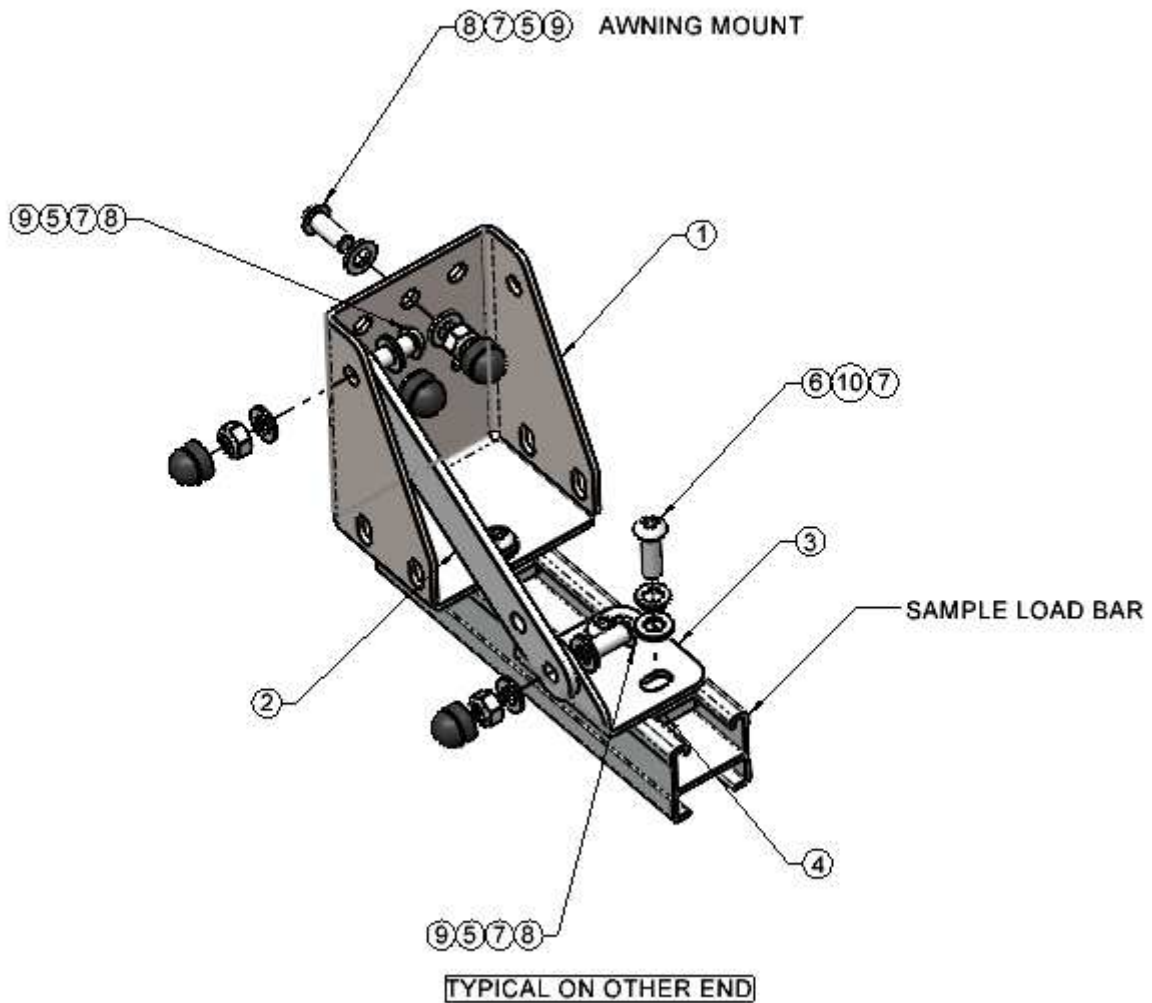
Any damages, direct or incidental to the installer and/or property due to incorrect installation of any parts are the responsibility of the installer. Due to the various applications and fitment options available, the responsibility lies with the user to ensure all mounting points are secure and tight before every trip. If unsure, consult with your Distributor regarding the operations of our products.

Users are advised to be mindful of the load they are carrying and drive in accordance with road conditions.

DISCLAIMER

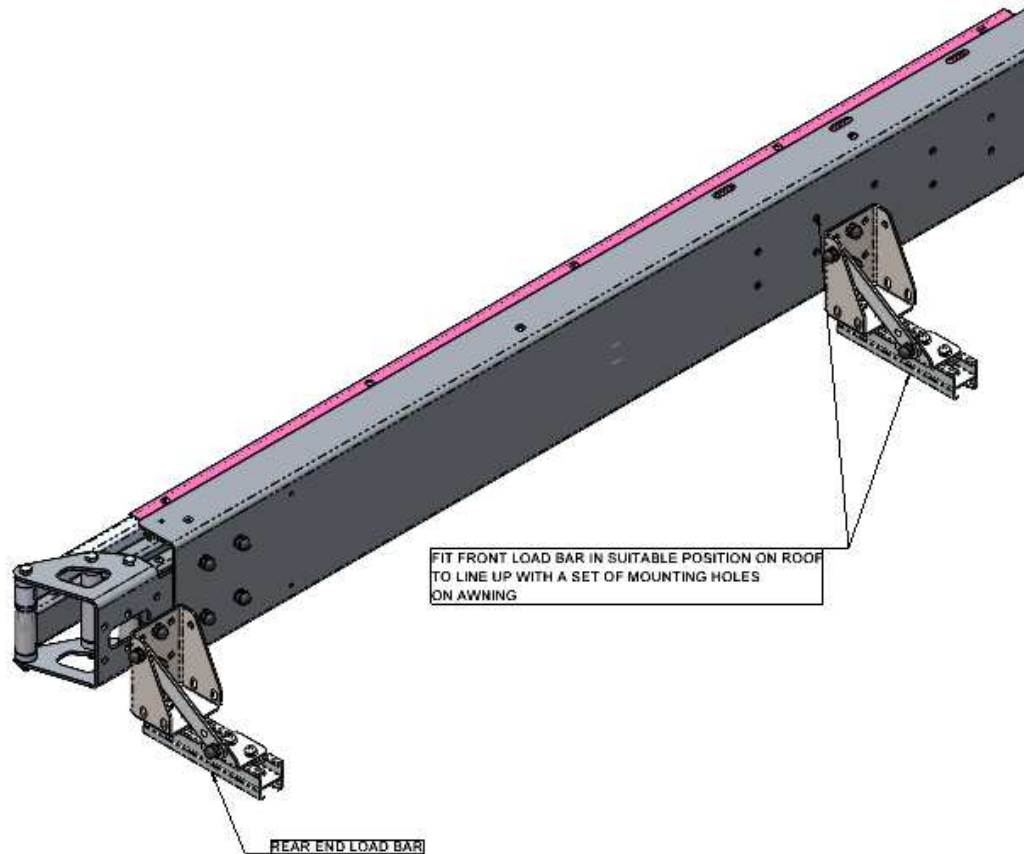
**Alu-Cab**

## LIST OF COMPONENTS:



ITEM NO.	PART NUMBER	DESCRIPTION	QTY
1	496-AWN-LB-MNT-BRKT-01	MOUNTING BRACKET	2
2	498-SUPP-PL-01	SUPPORT PLATE	2
3	498-MNT-BRKT-01	ANGLE MOUNTING BRACKET	2
4	498-NUT-PL-01	NUT PLATE	4
5	NY-M8	M8 NYLOC NUT S/S	8
6	BHD-M8x25	M8x25 B/HD BOLT S/S	8
7	FW-M8	M8x16mm FLAT WASHER S/S - DIN 125	24
8	BHD-M8x20	M8x20 B/HD BOLT S/S	8
9	NCAP-M8	NUT CAP-08mm	8
10	SW-M8	M8 SPRING WASHER S/S	8
11	BX-AC1	AC1 - BOX	1

## 1. TYPICAL FITTING POSITION OF AWNING BRACKET



### **WARNING**

Always wear appropriate PPE ( Personal protection equipment) when fitting this product. Although the mounting kit is designed to be DIY, if you have any doubts or concerns, contact an accredited fitment centre to carry out the work. Alu-Cab will not be liable for any injury to persons, and/or damage to products and/or vehicles.

Should you experience any problems, please contact us so that we can assist you.

Enquiries: [queries@alu-cab.co.za](mailto:queries@alu-cab.co.za)  
Tel: +27 21 703 3028